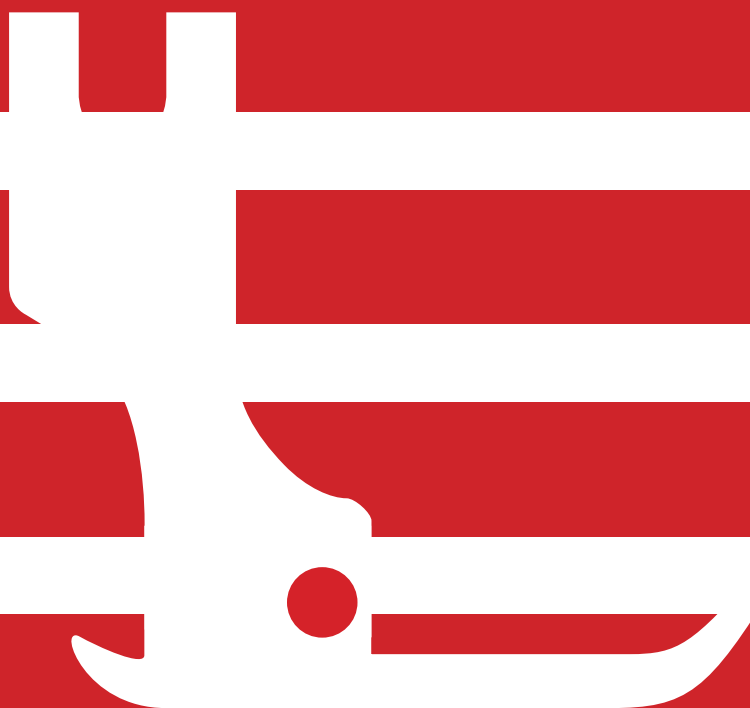


SUISEI® JAPAN

ATTACHMENTS



SUISEI ATTACHMENTS FOR INDUSTRIAL SEWING MACHINES

CATALOG Vol. **1.1**

JUNE-2005 PDF Version

TOHKI Industrial Co., Ltd.

CONTENTS

COMPARE LIST (Old to New)

NEW PRODUCTS	1 ~ 6
<hr/>	
SPRING GUIDE FEET	8
TOP STITCH GUIDE FEET	9
QUILTER & GUIDE FOOT	9
SHIRRING FEET	10
COMPENSATING FEET	11 ~ 13
CORDING FEET	14
ZIPPER FEET	14
STANDARD FEET	15
PIPING FEET	16
SPECIAL PIPING FEET	17
TAPE FEET	18
SOLID BLANK FEET	18
SPECIAL TUBE FEET	19
TEFLON FEET	20
NYLON RING FEET	21
HINGED FEET for SPECIAL MACHINE	21
HINGED FEET for NEEDLE FEED MACHINE	22 ~ 23
BINDING FEET	24
<hr/>	
RIGHT ANGLE BIAS BINDERS	26 ~ 27
DOUBLE FOLD BINDERS	28
SINGLE FOLD BINDERS	29
BELT and LOOP FOLDER	30
STRAIGHT FOLDER	30
TAPE GUIDES	31
HEMMERS	32 ~ 34
SINGLE TURN FELLERS	35
COMPACT SIMPLE FOLDERS	36
CORD ATTACHMENT	37
FOLDERS for TWO NEEDLE MACHINE	38
<hr/>	
GAUGES	40
ACCESSORIES	41
BINDING & TAPE REEL STANDS	42 ~ 43
COLLAR TURNERS	44
SEWING DEVICE	45
PARTS for INTERMITTENT CLOTH PULLERS	46 ~ 50
<hr/>	
INDEX (includes weight)	51 ~ 54
<hr/>	



This mark indicates that the items (presser feet) for **needle feed machine** are available.

Compare List (Old / New)

D : Discontinued

M : Modified

OLD Articles	Description	Rem.	NEW Articles	Page
1-1/2	Hemmer Foot	D	—	—
A1-	Double Fold Bias Binder	M	A1S-	28
A10-	Right Angle Bias Binder	M	A10S-	26
A10-01-3/4	Solid Binding Foot, for A10	D	SA45	24
A10-01-7/8	Solid Binding Foot, for A10	D	SA55	24
A11-	J-type Swing Hemmer	M	A11S-	32
A110-	Full Fold Hemmer	M	A110S-	32
A2-	Single Fold Bias Binder	M	A2S-	29
A32-	Spring Type Lap Seam Folder	D	—	—
A4-	Braid or Tape Binder	M	A4S-	29
A5-	Belt & Loop Folder	M	A5S-	30
A5B-	Straight Folder	M	A5BS-	30
A60-5	Swing Feller	D	—	—
A75D-	Single Downturn Feller	M	A7SD-	35
A75U-	Single Upturn Feller	M	A7SU-	35
A78	Latch Hemmer	M	A78S-	33
A9-	Plain Bias Binder	M	A9S-	28
AG50	Adjustable Tape Guide	M	AG50S	31
AM2	Regular Cloth Puller	M	AM2Z	45
AP4	Adjustable Cloth Clamp	D	—	—
AP8	Adjustable Cloth Clamp	D	—	—
CB 1	Compen. Binding Foot, for A10	D	SC55	24
CB 1.1/4	Compen. Binding Foot, for A10	D	SC95	24
CB 3/4	Compen. Binding Foot, for A10	D	SC45	24
CD10	Compensating Foot	M	SD10	13
CD15	Compensating Foot	M	SD15	13
CD20	Compensating Foot	M	SD20	13
CF2-S	Nylon Ring Foot	M	SCF2	21
CHN	Compensating Binding Foot	D	SC75	24
CHW	Compensating Binding Foot	D	SC105	24
CL08	Compensating Foot	M	SL10	11
CL08N	Compensating Foot	M	SL10N	11
CL10	Compensating Foot	M	SL10	11
CL15	Compensating Foot	M	SL15	11
CL15N	Compensating Foot	M	SL15N	11
CL20	Compensating Foot	M	SL20	11
CL30	Compensating Foot	M	SL30	11
CR08	Compensating Foot	M	SR10	11
CR08K	Compensating Foot	M	SR10T	12
CR08N	Compensating Foot	M	SR10N	11
CR08NK	Compensating Foot	M	SR10NK	12
CR10	Compensating Foot	M	SR10	11
CR100	Compensating Foot	M	SR100	11
CR15	Compensating Foot	M	SR15	11
CR15K	Compensating Foot	M	SR15T	12
CR15N	Compensating Foot	M	SR15N	11
CR15NK	Compensating Foot	M	SR15NT	12
CR20	Compensating Foot	M	SR20	11
CR25	Compensating Foot	M	SR25	11
CR25K	Compensating Foot	M	SR25T	12
CR30	Compensating Foot	M	SR30	11
CR30K	Compensating Foot	M	SR30K	12
CR40	Compensating Foot	M	SR40	11
CR40K	Compensating Foot	M	—	—
CR50	Compensating Foot	M	SR50	11
CR60	Compensating Foot	M	SR60	11
CR65	Compensating Foot	M	SR65	11
CR70	Compensating Foot	M	SR70	11
CR80	Compensating Foot	M	SR80	11
G20	Magnetic Gauge	M	G20Z	40
G7	Swing Gauge	M	G7E	40
P1	Solid Raising Foot	D	—	—
P127	Hinged Standard Foot	D	SP127	15
P144H	Hinged Foot, Double Toe Even	D	S5050	15
P144HL	Hinged Foot, Turned Up Front	D	S5050V	15
P193	Hinged Standard Foot	D	S6565	15
P27	Hinged Foot, for Needle Feed	D	S5050N	22
P314C	Hinged Tube Foot	D	TU65C	18
P314L	Hinged Tube Foot	D	TU65L	18
P314R	Hinged Tube Foot	D	TU65R	18

OLD Articles	Description	Rem.	NEW Articles	Page
P318C	Hinged Tube Foot	D	TU30C	18
P3316C	Hinged Tube Foot	D	TU50C	18
P3316L	Hinged Tube Foot	D	TU50L	18
P3316R	Hinged Tube Foot	D	TU50R	18
P338C	Hinged Tube Foot	D	TU100C	18
P338L	Hinged Tube Foot	D	TU100L	18
P338R	Hinged Tube Foot	D	TU100R	18
P34	Hemming & Folding Foot	D	SA75	24
P344	Hemming & Folding Foot	D	SA95	24
P351	Hinged Standard Foot	M	SP351	15
P351K	Hinged Standard Foot	M	SP351T	15
P352	Hinged Foot, Turned Up Front	M	SP352	15
P36	Hinged Cording Foot	M	SP36	14
P360	Hinged Foot, Narrow	M	SP360	15
P361	Hinged Foot, Narrow	M	SP361	15
P3610	Hemming & Folding Foot	M	(SA65)	24
P3613	Hemming & Folding Foot	M	(S6060V)	15
P3620	Hemming & Folding Foot	M	(SA105)	24
P3625	Hemming & Folding Foot	M	(SA200)	24
P363	Hinged Zipper Foot	M	S2525	14
P363V	Hinged Zipper Foot	M	S3030	14
P363VNF	Hinged Foot, for Needle Feed	M	S3030N	22
P36L	Hinged Cording Foot	M	SP36L	14
P36LN	Hinged Cording Foot	M	SP36LN	14
P36N	Hinged Cording Foot	M	SP36N	14
P36W	Hinged Cording Foot	D	—	—
P38	Hemming & Folding Foot	D	SA65	24
P386	Hemming & Folding Foot	D	SA55	24
P58N	Hinged Standard Foot	D	SP58N	15
P58W	Hinged Foot, Double Toe Even	D	S5050	15
P69LH-...	Hinged Piping Foot <Left>	M	S69LH-...	16
P69RH-...	Hinged Piping Foot <Right>	M	S69RH-...	16
P810	Hinged Raising Foot	D	SG10	8
P810L	Hinged Raising Foot	D	SG10L	8
P811	Hinged Raising Foot	D	SG15	8
P811L	Hinged Raising Foot	D	SG15L	8
P812	Hinged Raising Foot	D	SG30	8
P812L	Hinged Raising Foot	D	SG30L	8
P813	Hinged Raising Foot	D	SG50	8
P813L	Hinged Raising Foot	D	—	—
P814	Hinged Raising Foot	D	SG65	8
P814L	Hinged Raising Foot	D	—	—
P815	Hinged Raising Foot	D	SG80	8
P815L	Hinged Raising Foot	D	—	—
P946	Hinged Foot, Double Toe Even	M	S4040	15
P953	Adjustable Shirring Foot	M	S955	10
S363NF	Hinged Zipper Foot, for Needle Feed	M	S3030N	22
SH030	Hemmer Foot	D	(A50-3)	33
SH050	Hemmer Foot	D	(A50-5)	33
SH30	Hemmer Foot	D	(A50-3)	33
SH40	Hemmer Foot	D	(A50-4)	33
SH50	Hemmer Foot	D	(A50-5)	33
SH65	Hemmer Foot	D	(A50-7)	33
SHP50	Feller Foot	D	—	—
SP351K	Hinged Standard Foot	M	SP351T	15
SP363	Hinged Zipper Foot	M	S3030	14
SP90-BL	Intermittent Cloth Puller	D	—	—
SP90-FBS	Intermittent Cloth Puller	D	—	—
SP90-RF	Intermittent Cloth Puller	D	—	—
SP90-TR	Intermittent Cloth Puller	D	—	—
SR10K	Compensating Foot	M	SR10T	12
SR15K	Compensating Foot	M	SR15T	12
SR15NK	Compensating Foot	M	SR15NT	12
SR20K	Compensating Foot	M	SR20T	12
T350	Teflon Foot	M	ST350	20
T35CW	Teflon Foot	M	ST35CW	20
T35W	Teflon Foot	M	ST35W	20
T363	Teflon Foot	M	ST363	20
T36LN	Teflon Foot	M	ST36LN	20
T36N	Teflon Foot	M	ST36N	20

• We have no recommendatory articles or substitution for old articles concerning the items are specified "—" on NEW Articles column.

NEW PRODUCTS

***SFG1, SFG1NW, SRC10~SRC30, SLC10~SLC30, SR10NF~SR30NF, SL10NF~SL30NF
SG70, SG110, SG150, SG200, P723NF, ST350NF, ST35WNF, SCF2, SCF1L, A10H-, A110S-T20~M25, ACxx***

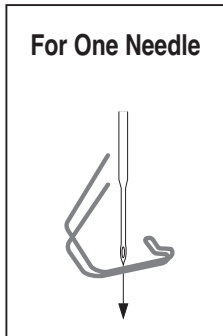
NEW Products

NEW



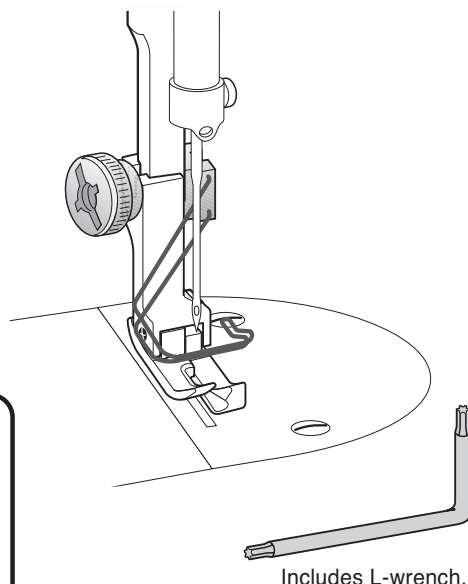
SFG1 Finger Guard Set for One Needle Lock Stitch Machine

For One Needle

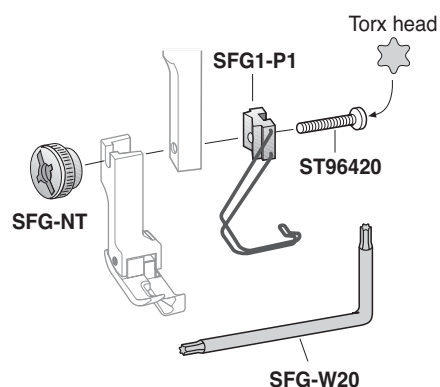


- After setting finger guard to presser bar, it keeps working for finger protection.

SFG1



Includes L-wrench.



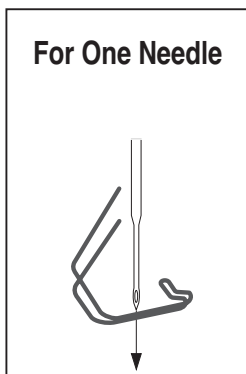
Part Number	Description
SFG1-P1	Guard Wire Complete
ST96420	Screw with Torx Head
SFG-NT	Thumb Nut
SFG-W20	L-Wrench for Torx Head
SFG-D20	Driver for Torx Head

"SFG-D20" Torx® driver is available at extra cost.

Torx® is registered by Textron Fastening Systems (Camcar Screw & Mfg.)

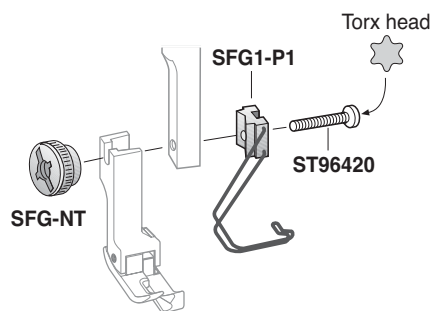
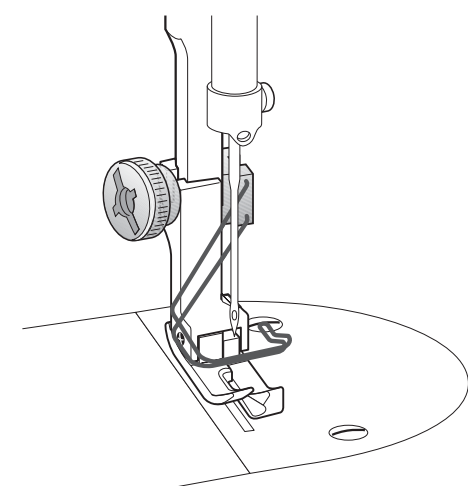
SFG1NW Finger Guard Set **Without L-Wrench** for One Needle Lock Stitch Machine

For One Needle



- After setting finger guard to presser bar, it keeps working for finger protection.

SFG1NW



Part Number	Description
SFG1-P1	Guard Wire Complete
ST96420	Screw with Torx Head
SFG-NT	Thumb Nut

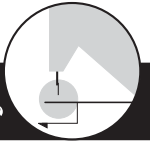
Torx® is registered by Textron Fastening Systems (Camcar Screw & Mfg.)

You can not use following articles in our products together with SFG1.

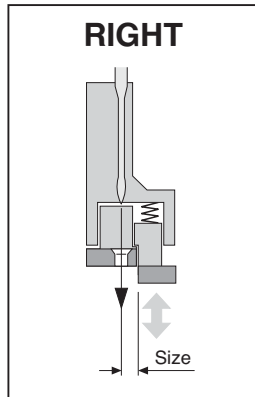
A10S-40, A10S-45, A10S-50, A10H- , P723, P723NF

When using SFG1 for needle feed machine, the maximum stitch length is 4 millimeters.

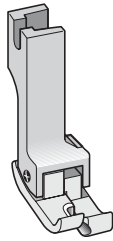
SFG1 is not be able to attached to few kinds of machine which has a special presser bar.



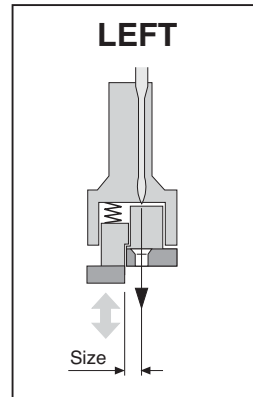
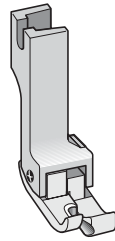
SRC10~SRC30, SLC10~SLC30 Compensating Feet <Extra Short>



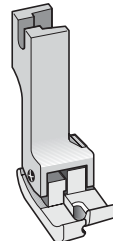
SRC10
1.0 mm



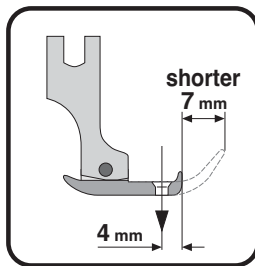
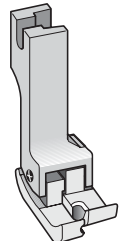
SRC15
1.5 mm



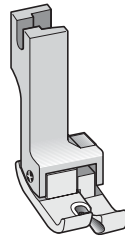
SLC10
1.0 mm



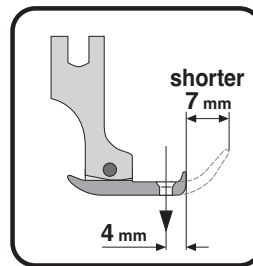
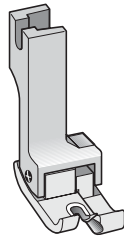
SLC15
1.5 mm



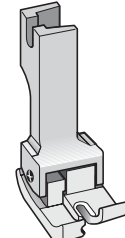
SRC20
2.0 mm



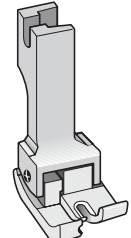
SRC30
3.0 mm



SLC20
2.0 mm

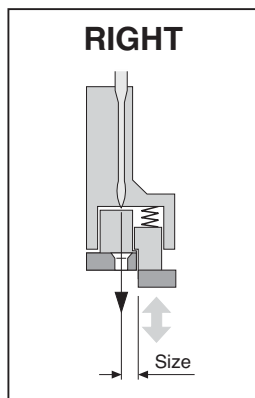


SLC30
3.0 mm

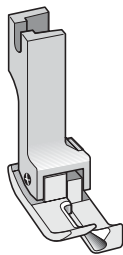


- These feet are appropriate for sewing small parts as out pockets or labels. Because it is 4 millimeters long the toe side from the needle and 7 millimeters shorter than regular compensating feet.

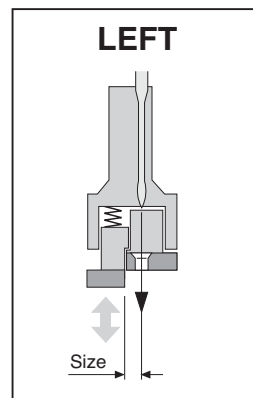
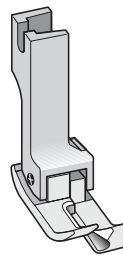
SR10NF~SR30NF, SL10NF~SL30NF Compensating Feet For Needle Feed Machine



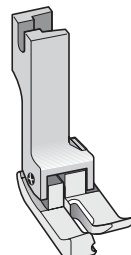
SR10NF
1.0 mm



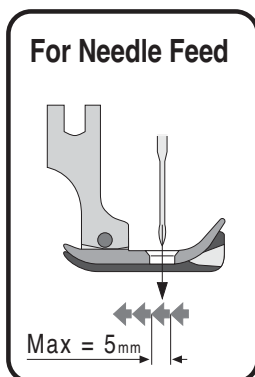
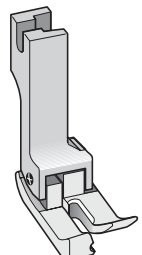
SR15NF
1.5 mm



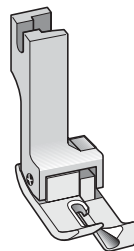
SL10NF
1.0 mm



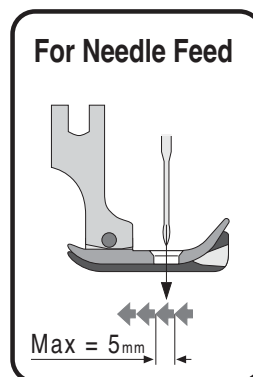
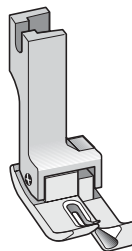
SL15NF
1.5 mm



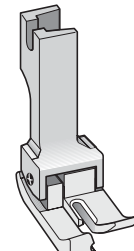
SR20NF
2.0 mm



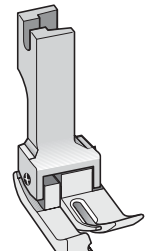
SR30NF
3.0 mm



SL20NF
2.0 mm



SL30NF
3.0 mm



Not use for plain sewing machine, will cause "Skip stitch". Because these are for needle feed machine.

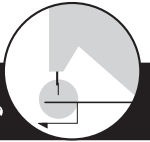
NEW PRODUCTS 新製品

NOUVEAUX PRODUITS
PRODUCTOS NUEVOS

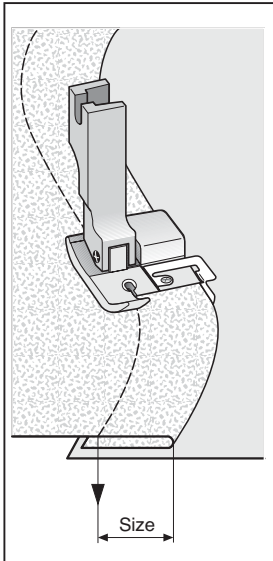
NEUE PRODUKTE
新產品

Attachments

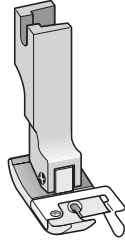
SUISEI®



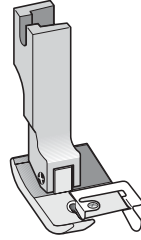
SG70, 110, 150, 200 Spring Guide Hinged Feet



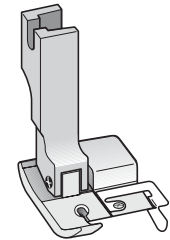
SG70
7.0mm



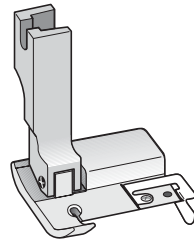
SG110
11.0mm







SG150
15.0mm



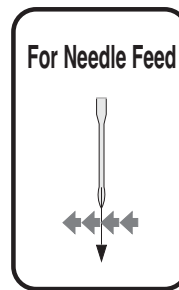
SG200
20.0mm



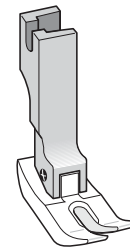
Screw & Spring Guides

SG-P0 For all Feet	 M1.6 x 0.35
SG-P1 For SG10~SG30 SG110L, SG150, SG200	 Stainless steel
SG-P2 For SG50~SG80	 Stainless steel
SG-P1L For SG10L~SG30L	 Stainless steel

ST·NF Teflon Feet for Needle Feed

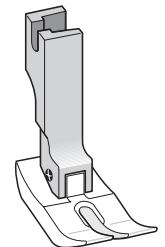


ST350NF



5.5mm ↓ 5.5mm

ST35WNF



6.5mm ↓ 6.5mm

ST350NFB



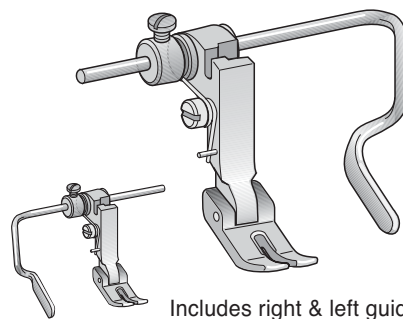
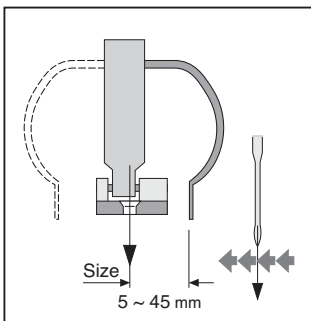
for "ST350NF"

ST35WNFB



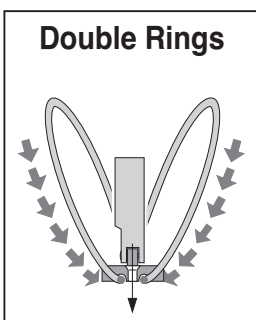
for "ST35WNF"

P723NF Hinged Quilter Foot with Right & Left Guides for Needle Feed

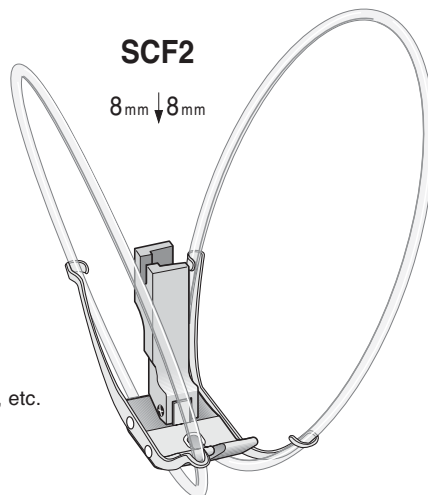


Includes right & left guides.

SCF2 Nylon Ring Foot



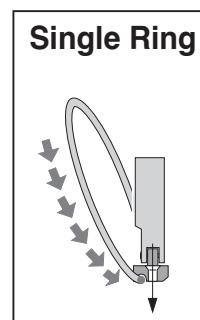
- Appropriate for slippery and problem materials, like Velvet, Plastic-coated, Rubber-backed, etc.



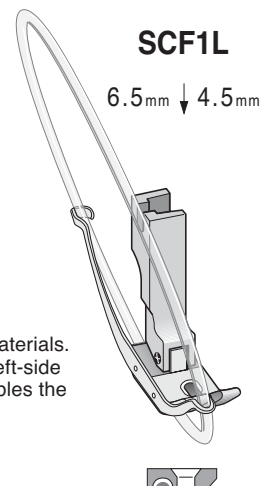
SCF2

8mm ↓ 8mm

SCF1L Left Nylon Ring Foot



- Appropriate for slippery materials. Especially single ring on left-side and narrow foot shoe enables the sewing of the small bag.



SCF1L

6.5mm ↓ 4.5mm

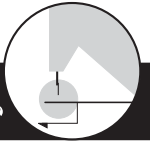
NEW PRODUCTS 新製品

NOUVEAUX PRODUITS
PRODUCTOS NUEVOS

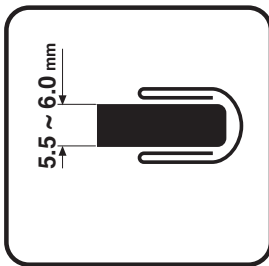
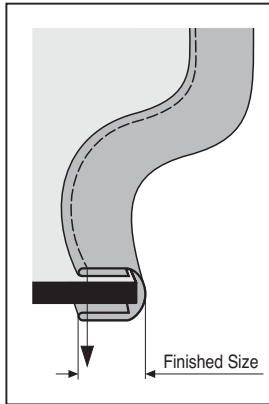
NEUE PRODUKTE
新製品

Attachments

SUISEI®



A10H- 36, 40, 50 Right Angle Bias Binder for Heavy Material <with presser foot and feed dog>

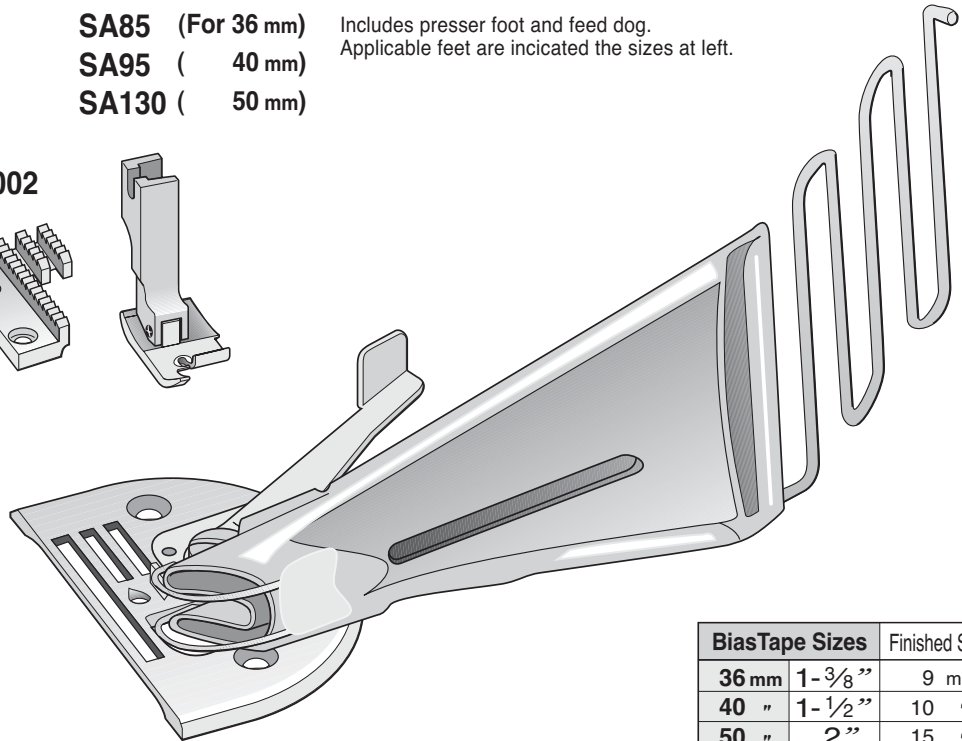
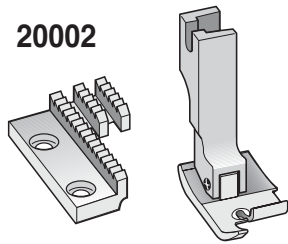


- For inside curving operation, like neck-line, arm-hole, etc.

SA85 (For 36 mm)
SA95 (40 mm)
SA130 (50 mm)

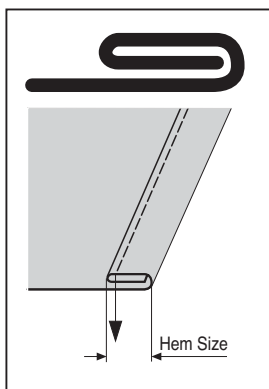
Includes presser foot and feed dog.
Applicable feet are indicated the sizes at left.

20002

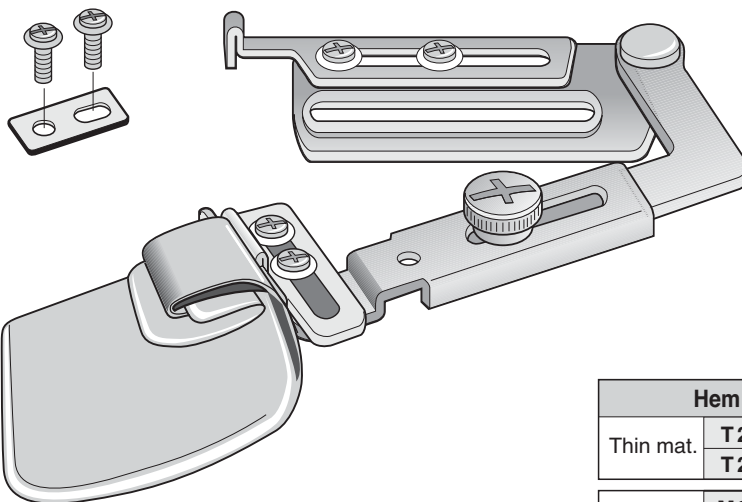


Bias Tape Sizes	Finished Sizes
36 mm	1-3/8" 9 mm
40 "	1-1/2" 10 "
50 "	2" 15 "

A110S- T20, T25, M20, M25 Full Fold Swing Hemmer



- For fully folding in the hem of the fabric.



Hem Sizes		
Thin mat.	T 20 mm	13/16"
	T 25 "	1 "
Medium mat.	M 20 mm	13/16"
	M 25 "	1 "

NEW PRODUCTS

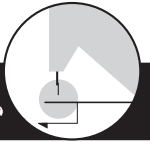
新製品

NOUVEAUX PRODUITS
PRODUCTOS NUEVOS

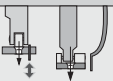

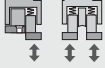
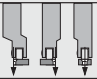
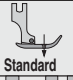
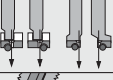


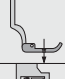

NEUE PRODUKTE
新产品

Attachments

SUISEI[®]



PRESSER FEET

<p>SPRING GUIDE FEET QUILTER & GUIDE FOOT</p>	
<p>SHIRRING FEET GUIDE FEET FOR HEMMERS</p>	
<p>COMPENSATING FEET (RIGHT•LEFT•DOUBLE)</p>	
<p>CORDING FEET ZIPPER FEET</p>	
<p>STANDARD FEET</p>	 <p>Standard</p>
<p>PIPING FEET SPECIAL PIPING FEET</p>	
<p>TAPE FEET • SPECIAL TUBE FEET SOLID BLANK FEET</p>	 <p>BLANK FEET</p>
<p>TEFLON FEET NYLON RING FEET</p>	 <p>TEFLON</p>
<p>FEET FOR NEEDLE FEED MACHINE <i>(Compensating, Standard-type, Quilter, Teflon)</i></p>	
<p>HINGED BINDING FEET COMPENSATING BINDING FEET</p>	

SPRING GUIDE FEET スプリングガイド付き押え金

PIEDS AVEC RESSORT GUIDE
PIES PRENSATELA CON GUÍA

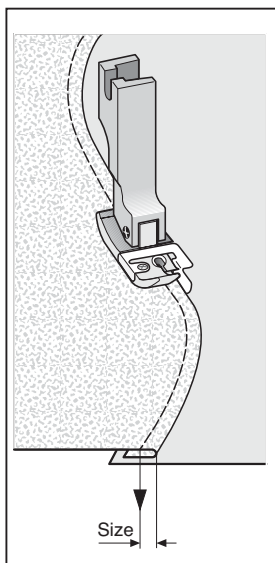
KANTENFEDER-FÜSSE
弓片式縫边压脚

Attachments

SUISEI®

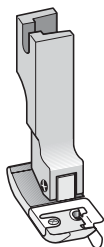


SG10~SG80 Spring Guide Hinged Feet

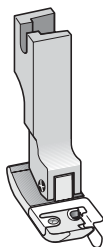


- For straight and curving edges.
NO guide part at the rear of the needle hole.

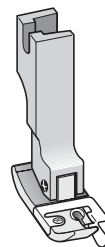
SG10
1.0mm



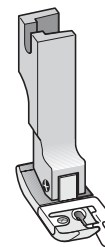
SG15
1.5mm



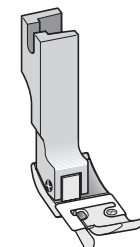
SG20
2.0mm



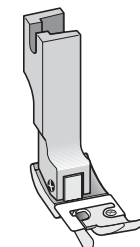
SG30
3.0mm



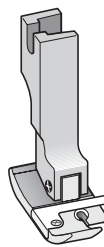
SG10L
1.0mm



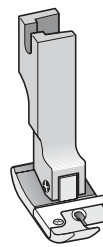
SG15L
1.5mm



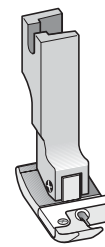
SG50
5.0mm



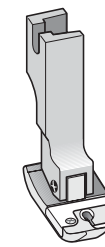
SG65
6.5mm



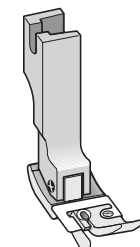
SG70
7.0mm



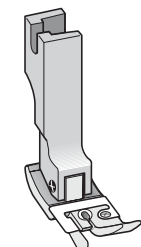
SG80
8.0mm



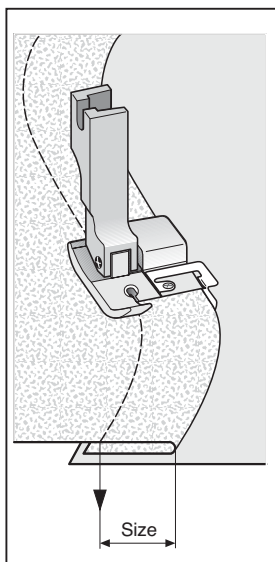
SG20L
2.0mm



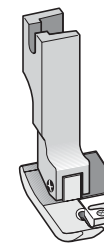
SG30L
3.0mm



SG110, SG150, SG200 Spring Guide Hinged Feet

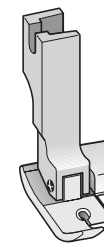


SG110
11.0mm



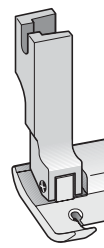
SG-P1

SG150
15.0mm





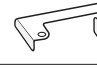

SG-P1

SG200
20.0mm



SG-P1

Screw & Spring Guides

SG-P0 For all Feet		M1.6 x 0.35
SG-P1 For SG10~SG30 For SG80~SG200		Stainless steel
SG-P2 For SG50~SG80		Stainless steel
SG-P1L For SG10L~SG30L		Stainless steel

SPRING GUIDE FEET スプリングガイド付き押え金

PIEDS AVEC RESSORT GUIDE
PIES PRENSATELA CON GUÍA

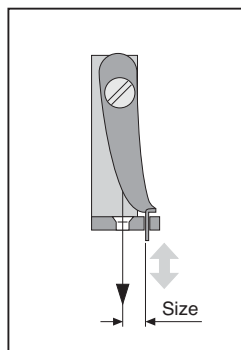
KANTENFEDER-FÜSSE
弓片式縫邊壓脚

Attachments

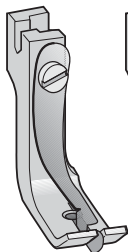
SUISEI®



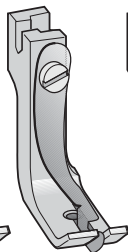
P10~P18 Top Stitch Guide Feet



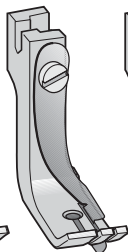
P10
0.8 mm
1/32"



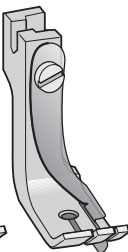
P11
1.6 mm
1/16"



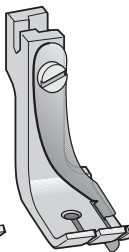
P115
2.4 mm
3/32"



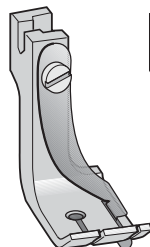
P12
3.2 mm
1/8"



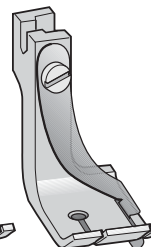
P13
4.8 mm
3/16"



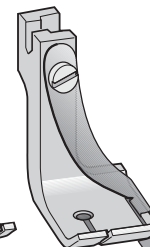
P14
6.4 mm
1/4"



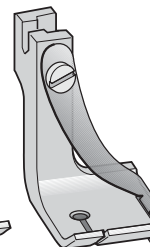
P15
8.0 mm
5/16"



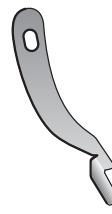


P16
9.5 mm
3/8"



P18
12.7 mm
1/2"



Screw & Spring Guides	
3352 For all Feet	 3/32-56
P01 For P10~P13	
P01W For P14~P18	

- The lower material can be hurt by the spring guide when it is weak and thin.
Then **SG series** feet on P.9 are recommended.

QUILTER & GUIDE FOOT ステッチガイド押え金

PIEDS ARTICULÉS AVEC GUIDE
PIES PRENSATELA CON GUÍA AJUSTABLE

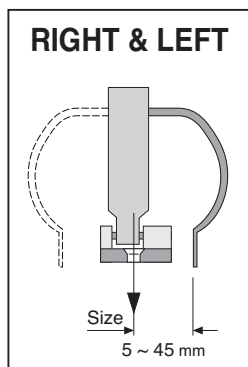
GELLENKFÜSSE MIT LINEAL(EN)
紵縫及导向压脚

Attachments

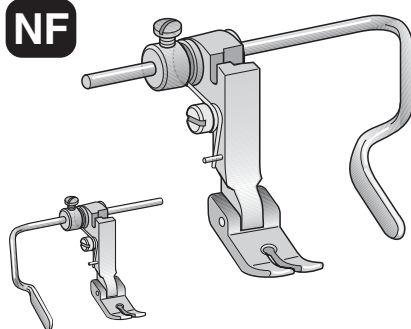
SUISEI®



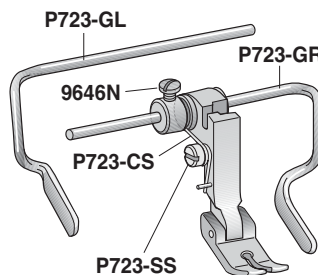
P723 Hinged Quilter Foot with Right & Left Guides



NF



Includes right & left guides.



Part Number	Description
P723-GL	Left Guide
P723-GR	Right Guide
9646N	Screw (9/64-L6)
P723-SS	Shoulder Screw
P723-CS	Spring

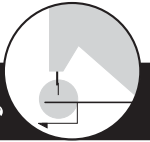
SHIRRING FEET シャーリング押え金

PIEDS FRONCEURS
PIES PRENSATELA DE FRUNCIDO

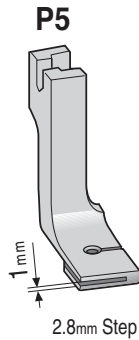
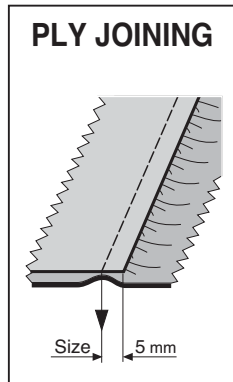
KRÄUSELFÜSSE
衲摺圧脚

Attachments

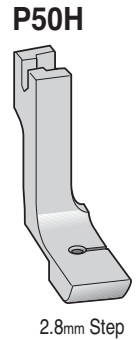
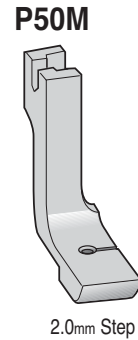
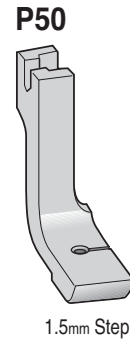
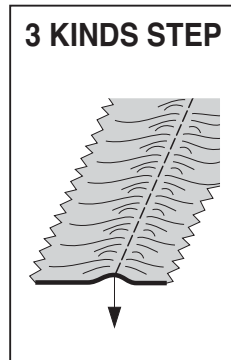
SUISEI®



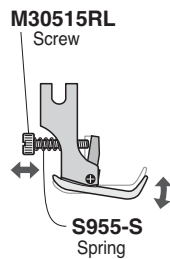
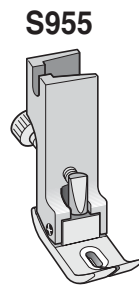
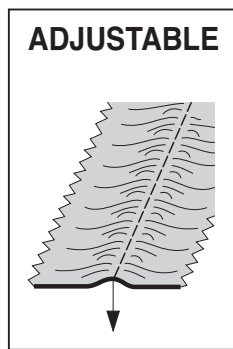
P5 Top Ply Joining Shirring Foot



P50, P50M, P50H Regular Shirring Foot



S955 Adjustable Shirring Foot



- For bottom ply of pocket flap lining.

Be careful

- Over turning of the adjust screw causes damage of the pin.
- Feeding scratches can happen when the material is weak and thin.

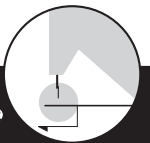
GUIDE FEET FOR HEMMERS ヘマー用ガイド押え金

PIEDS AVEC GUIDE POUR OURLEUR
PIES DE GUÍA PARA REPULUGADORES

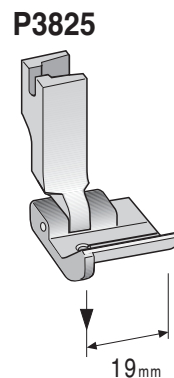
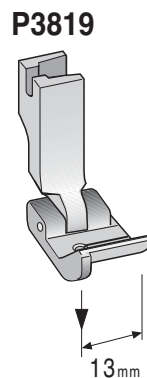
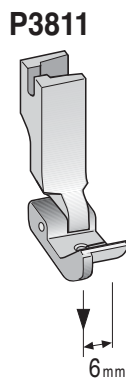
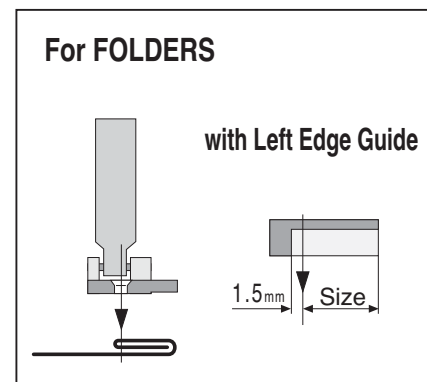
GELLENKÜSSE MIT LINEAL FÜR SÄUMAPPARATE
滾边及紵縫圧脚

Attachments

SUISEI®



P3811, P3819, P3825 Guide Feet for Hemmers



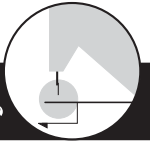
COMPENSATING FEET 段付き押え金

PIEDS COMPENSÉS
PIES PRENSATELA COMPENSANDOS

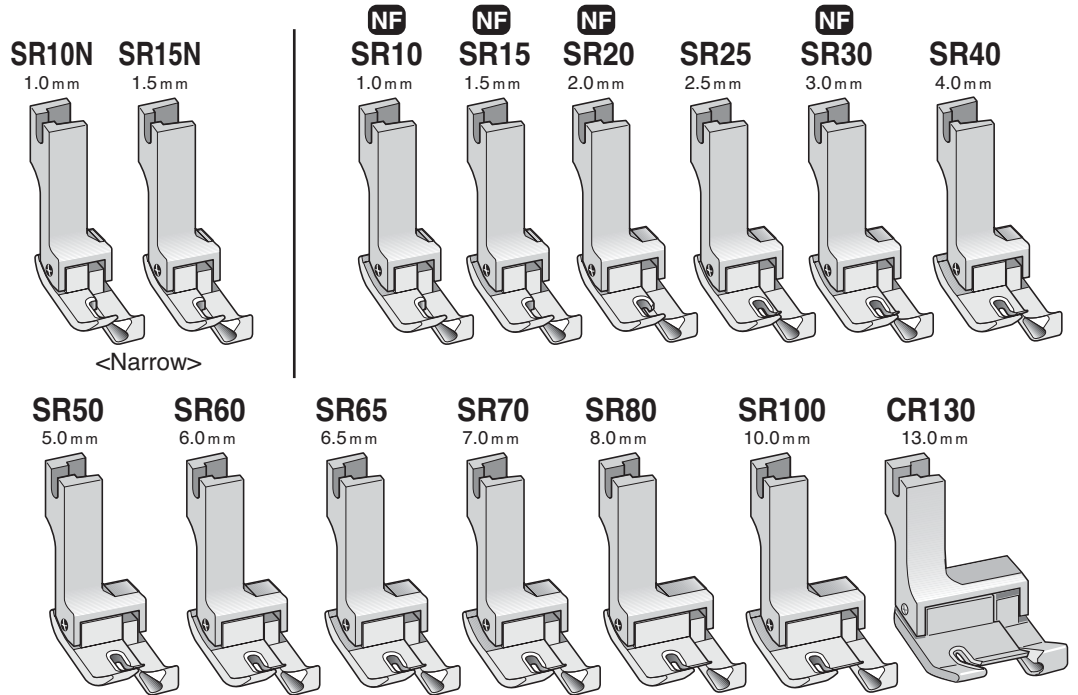
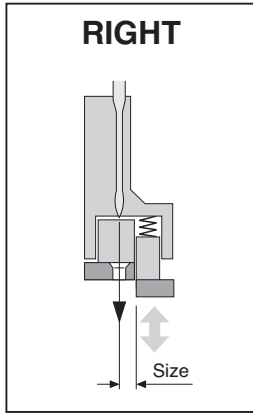
AUSGLEICHS-GELENKFÜSSE
补充压脚

Attachments

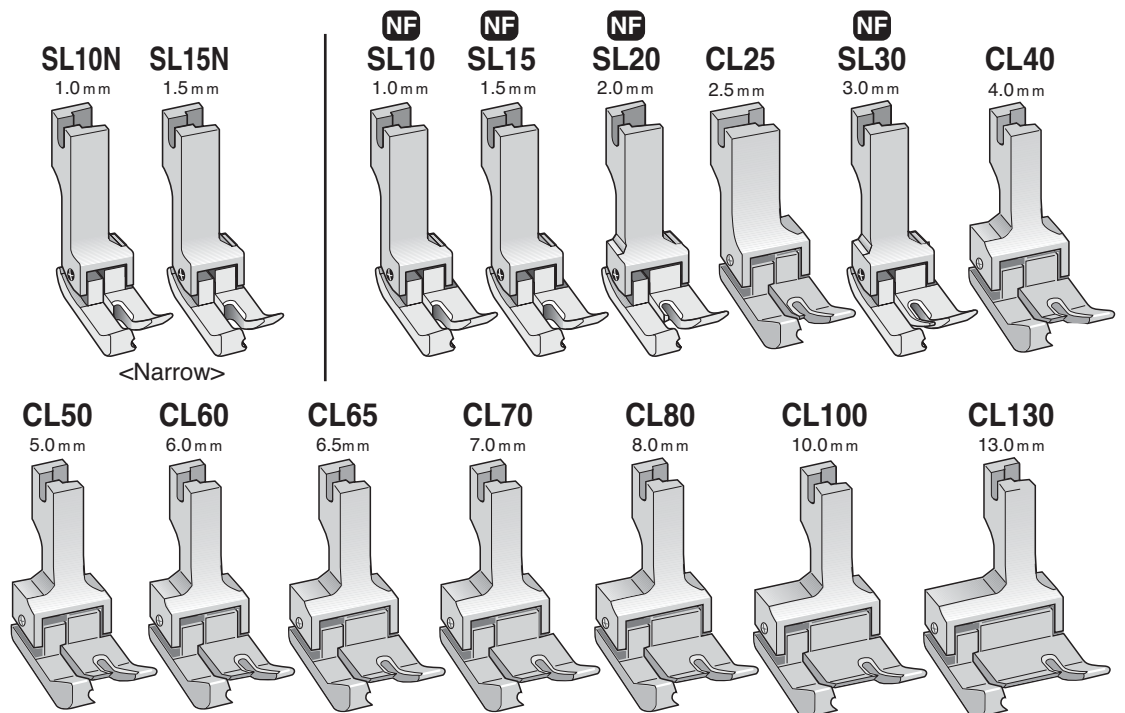
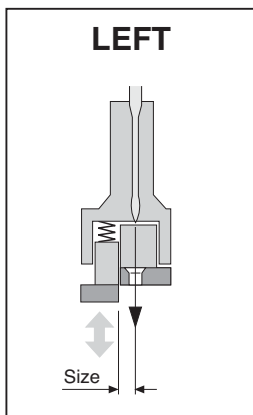
SUISEI®



SR10(N)~CR130 Compensating Feet <Right>



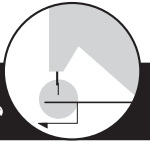
SL10(N)~CL130 Compensating Feet <Left>



- The replacement screw and spring for [SR..., SL...] type are different from [CR..., CL...] type's, please refer next page.
- Guide shoe has two springs B20 and **foot shoe has one** for [SR..., SL...] type feet.
- It may get good result for some kind of the sewing that the spring B20 on **foot shoe** is removed.

COMPENSATING FEET 段付き押え金

Attachments

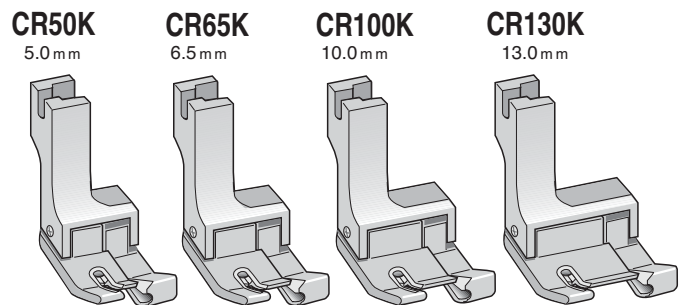
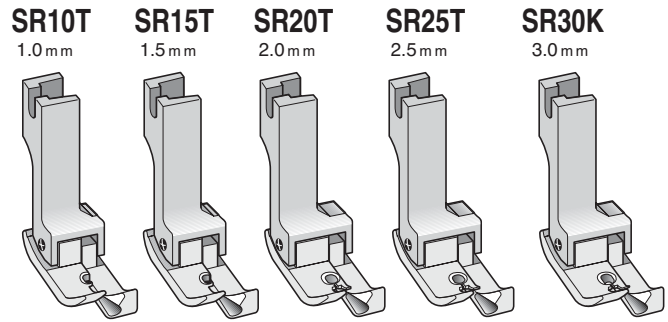
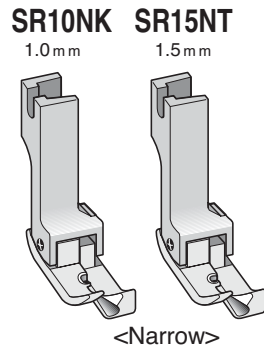
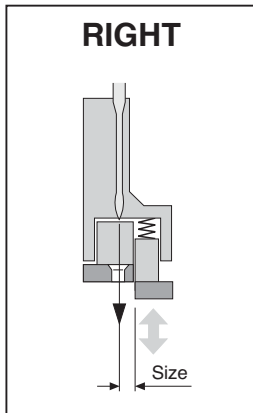


PIEDS COMPENSÉS
PIES PRENSATELA COMPENSANDOS

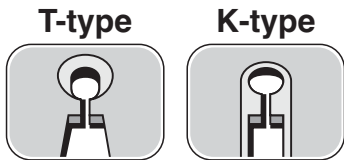
AUSGLEICHS-GELENKFÜSSE
补充压脚

SUISEI®

SR10(N)K~CR130K Compensating Feet for Knit <Right>

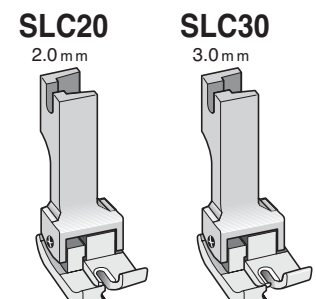
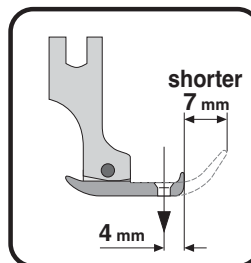
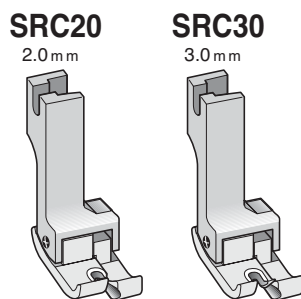
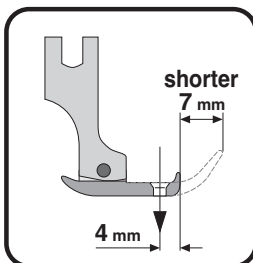
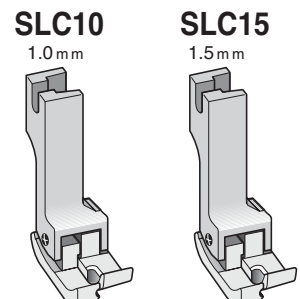
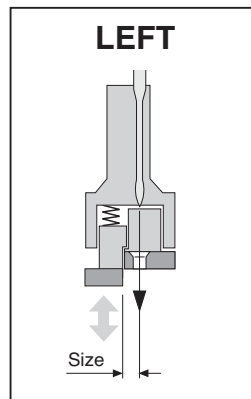
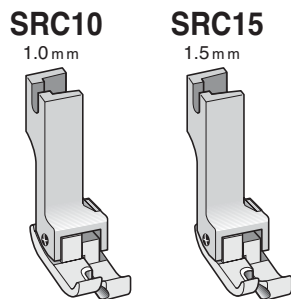
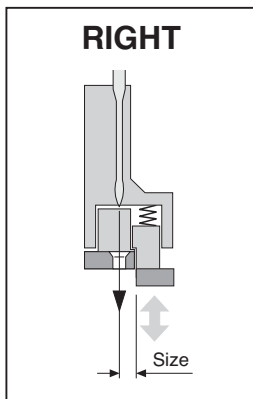


• For knit & thin materials.



Prevents lifting fabric with the needle.

SRC10~SRC30, SLC10~SLC30 Compensating Feet <Extra Short>



• These feet are appropriate for sewing small parts as out pockets or labels.
Because it is 4 millimeters long the toe side from the needle and 7 millimeters shorter than regular compensating feet.

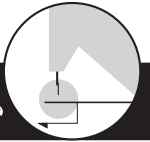
COMPENSATING FEET 段付き押え金

PIEDS COMPENSÉS
PIES PRENSATELA COMPENSANDOS

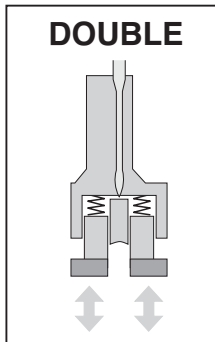
AUSGLEICHS-GELENKFÜSSE
补充压脚

Attachments

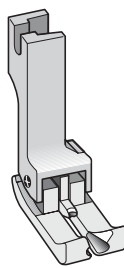
SUISEI®



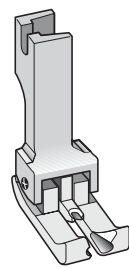
SD10~SD30 Compensating Feet <Double>



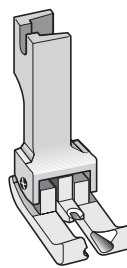
SD10
1.0 mm



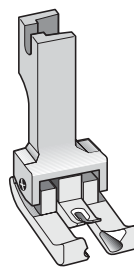
SD15
1.5 mm



SD20
2.0 mm



SD30
3.0 mm








Inches to Millimeters

Inches	MM	Recommended Numbers
1/32 →	0.8 →	10
1/16 →	1.6 →	15
3/32 →	2.4 →	25
1/8 →	3.2 →	30
5/32 →	4.0 →	40
3/16 →	4.8 →	50
1/4 →	6.4 →	65
5/16 →	8.0 →	80
3/8 →	9.5 →	100
1/2 →	12.7 →	130











For SR, SL, SD type

B20, CPS10~CPS19 Replacement spring and screws for "SR, SL, SRC, SLC, SD"

B20		ø2.0 mm	All Feet for "SR, SL, SRC, SLC, SD" & "SR·NF, SL·NF" type
CPS10		10.8 "	10(N)(NF), 15(N)(NF), SD10, S955 SC40~105, SHA30~80
CPS13		13.3 "	20(NF), 25, 30(NF), 40 SD15, SD20
CPS16		16.3 "	50, 60, 65, 70 SD30
CPS19		19.3 "	80, 100

For CR, CL, CD type

B25, C1~C8 Replacement spring and screws for "CR, CL, CD"

B25		ø2.5 mm	All Feet for "CR, CL, CD" type	C4		15.5 mm	40, 50, CD20
C1		10.0 "	08N(K), 10N(K), 15N(K) P952, P953	C5		17.5 "	60, 65, 70
C02		12.5 "	CD00	C6		19.0 "	80
C2		13.5 "	08, 10, 15, 20, 25, 30 CD10, CHN, CHW, CB	C7		20.5 "	100
C3		14.5 "	CD15	C8		24.0 "	130

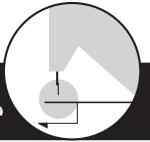
CORDING FEET 端縫い押え金

PIEDS A COUDRE AU BORD
PIES PRENSATELA PARA COSER CREMALLERAS

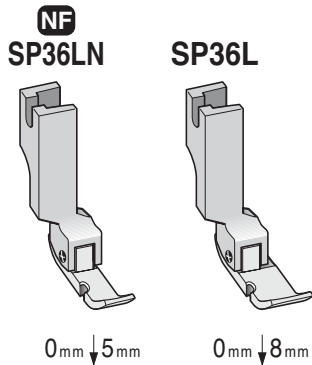
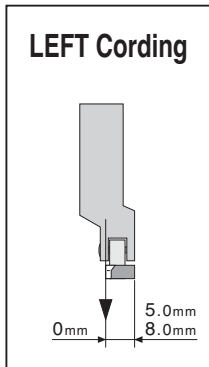
KANTENFÜSSE
縫端压脚

Attachments

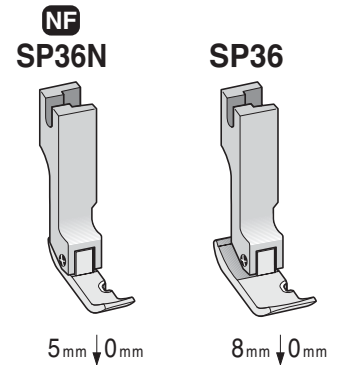
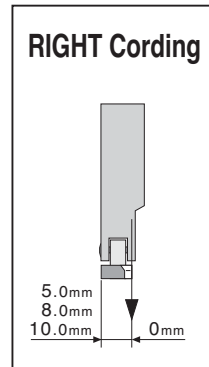
SUISEI®



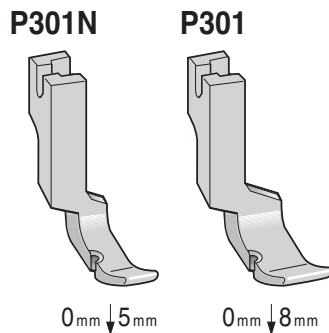
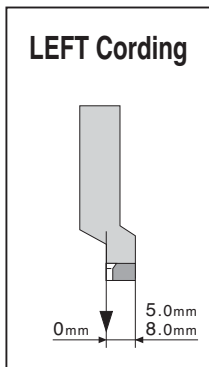
SP36L(N) Hinged Cording Feet <Left>



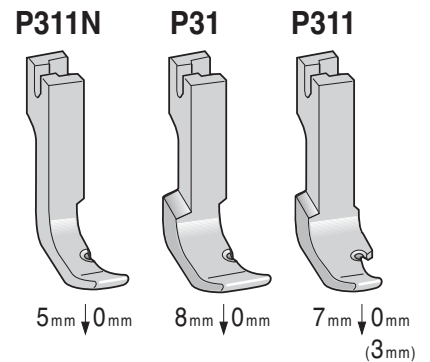
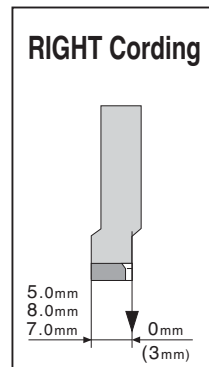
SP36(N) Hinged Cording Feet <Right>



P301(N) Solid Cording Feet <Left>



P311N, P31, P311 Solid Cording Feet <Right>



ZIPPER FEET ジッパー押え金

PIEDS POUR FERMETURE A GLISSIERE
PIES PRENSATELA PARA CREMALLERAS

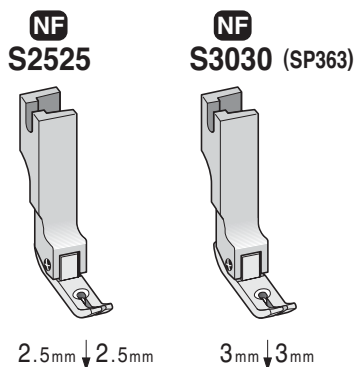
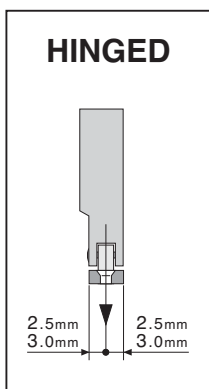
REISSVERSCHLUSSFÜSSE
拉链压脚

Attachments

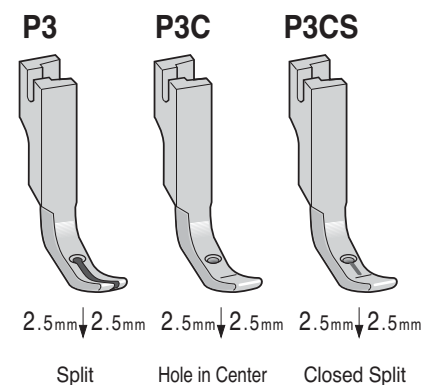
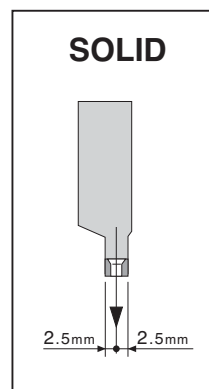
SUISEI®



S2525, S3030 Hinged Zipper Feet

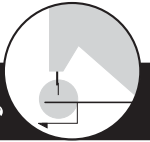


P3, P3C, P3CS Solid Zipper Feet



STANDARD FEET 標準押え金

Attachments



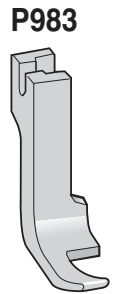
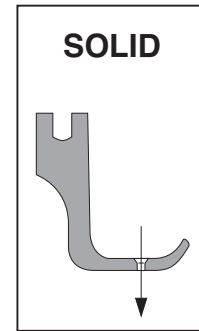
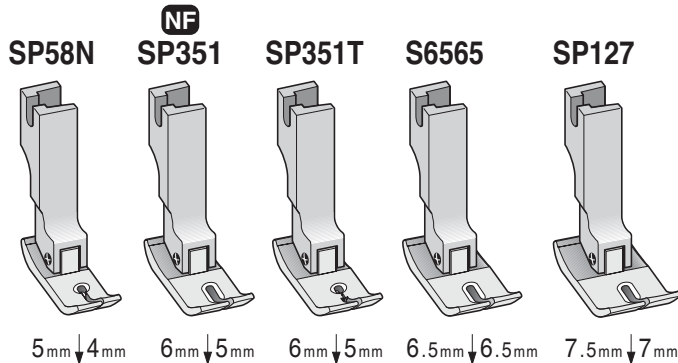
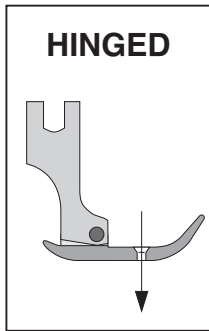
PIEDS STANDARD
PIES PRENSATELA NORMALIZADAS

STANDARD NÄHFÜSSE
標準压脚

SUISEI®

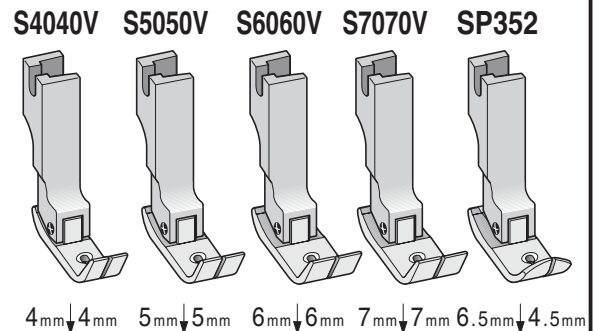
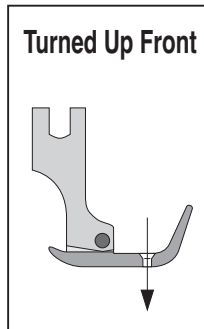
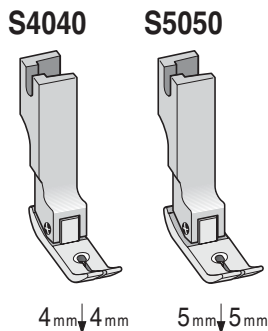
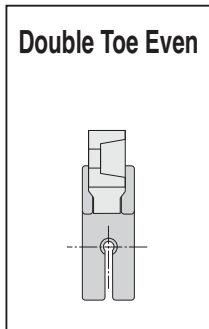
SP58N, SP351(T), S6565, SP127 Hinged Standard Feet

P983 Solid Half Foot



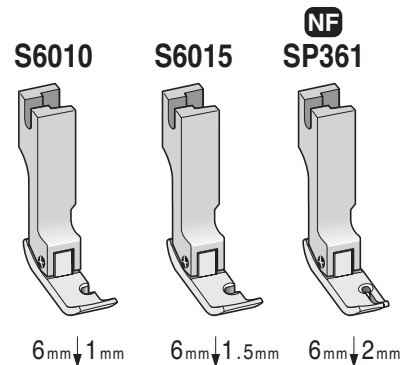
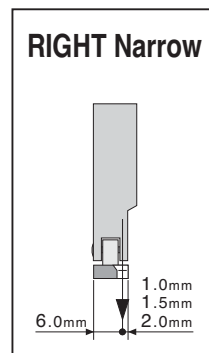
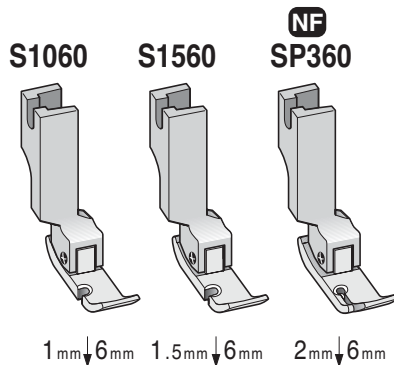
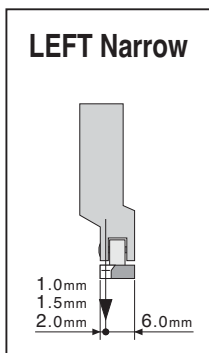
S4040, S5050 Hinged Feet <Double Toe Even>

S4040V, S5050V, S6060V, SP352 Hinged Feet <Turned Up Front>



S1060, S1560, SP360 Hinged Feet <Left Narrow>

S6010, S6015, SP361 Hinged Feet <Right Narrow>



B20, CPS07 Spring and Screw for Hinged Feet

自由押え金用バネ・ネジ

B20



ø2.0 mm

- All compensating presser feet [SR..., SL...] type, hinged feet [S...] and teflon feet [ST...] type have this spring.

CPS07



L=7.5 mm

- All compensating presser feet [SR..., SL...] type, hinged feet [S...] and teflon feet [ST...] type have this screw.

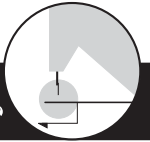
PIPING FEET コードパイピング押え金

PIEDS POUR POSE DE CORDONNET
PIES PRENSATELA PARA COSER VIVOS DE CORDÓN

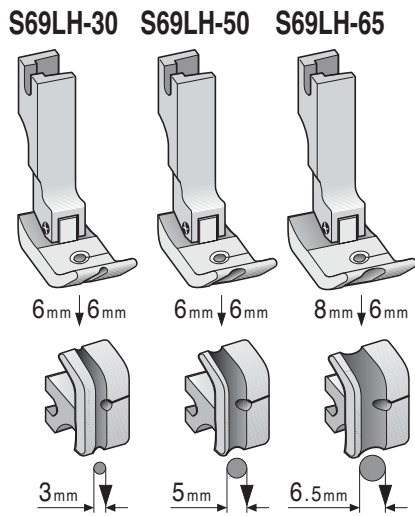
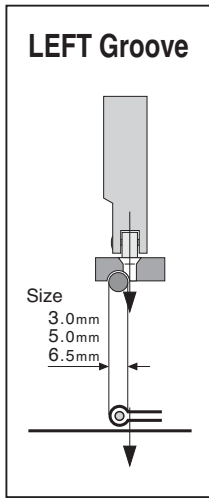
KORDELFÜSSE
附帶沟的压脚

Attachments

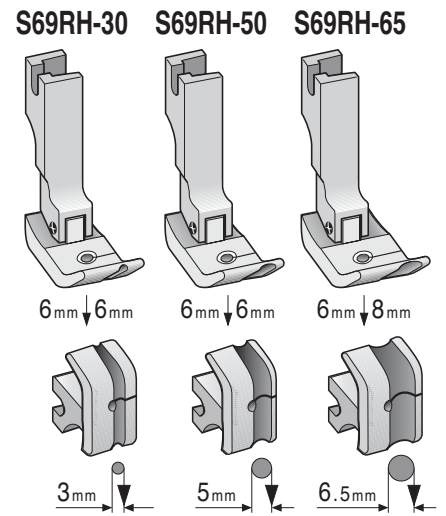
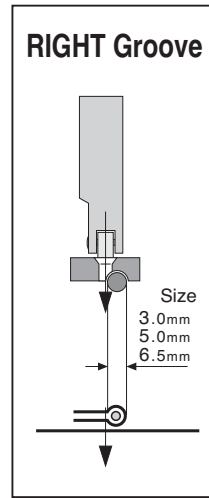
SUISEI®



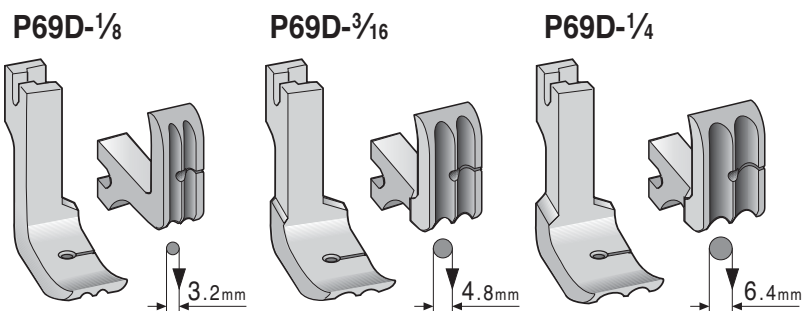
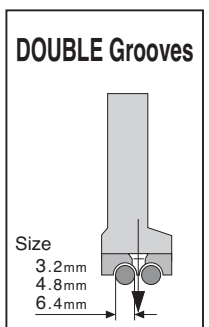
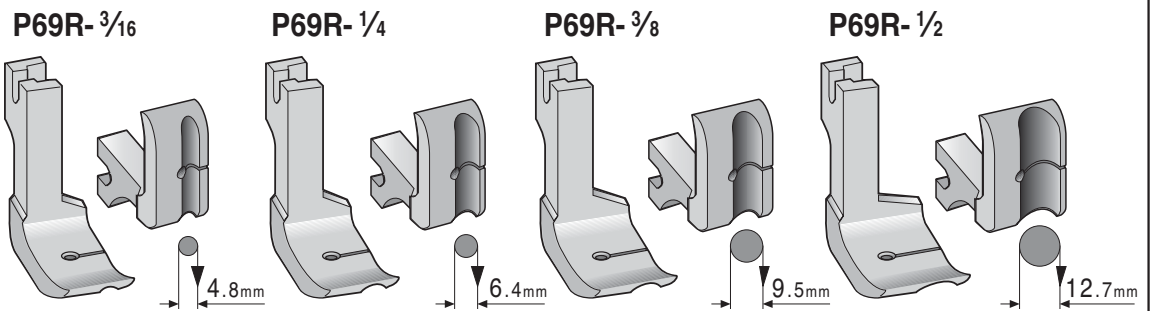
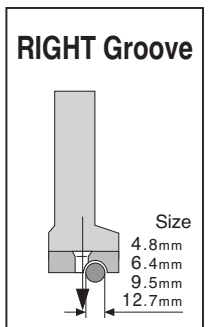
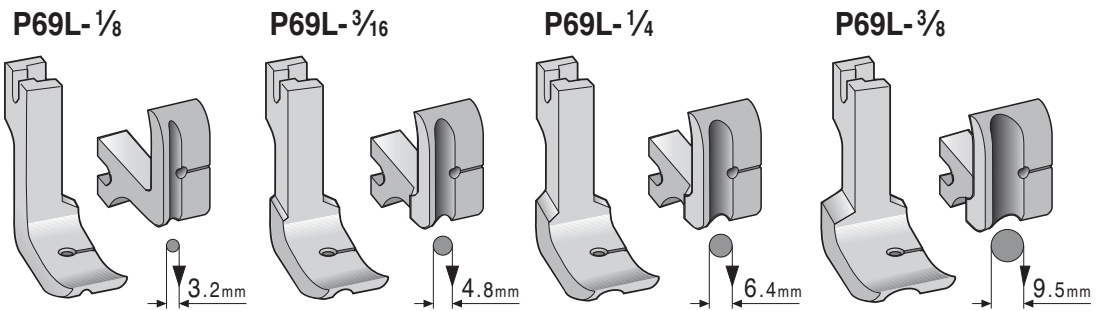
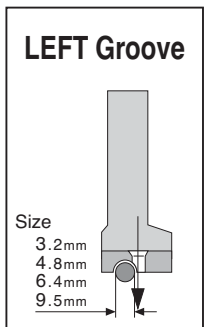
S69LH- 30,50,65 Hinged Piping Feet <Left>



S69RH- 30,50,65 Hinged Piping Feet <Right>



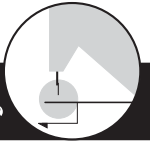
P69L-... , P69R-... , P69D-... Solid Piping Feet <Left> <Right> <Double>



SPECIAL PIPING FEET

特殊パイピング押え金

Attachments

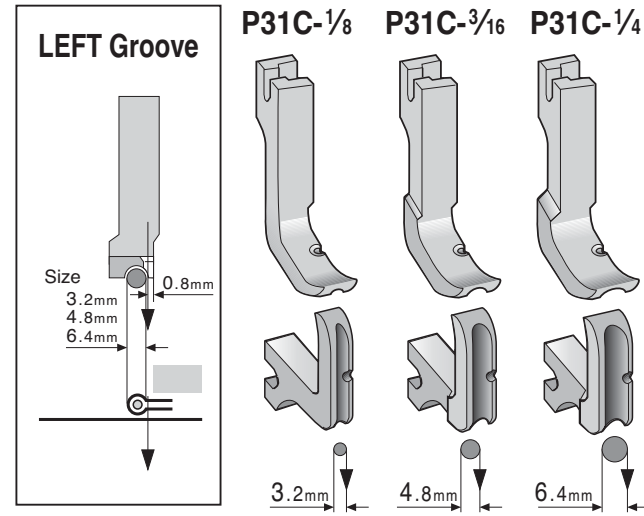


PIEDS SPECIAL POUR POSE CORDONNET
PIES PRENSATELA ESPECIAL PARA COSER VIVOS DE CORDÓN

SPEZIAL-KORDELFÜSSE
附帶沟的特殊压脚

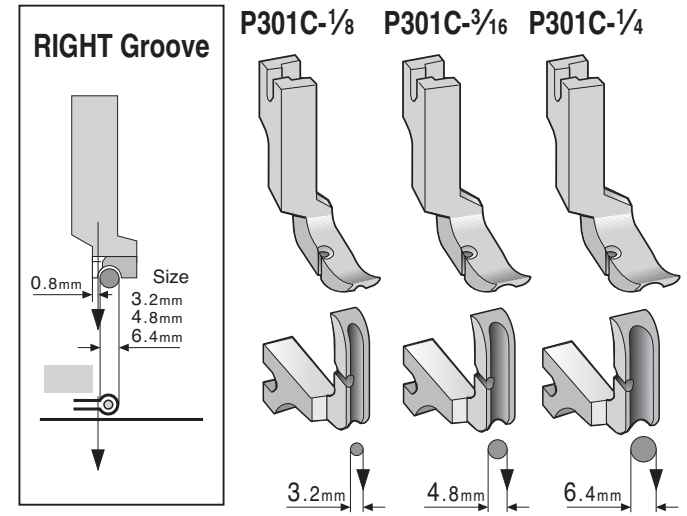
SUISEI®

P31C-... Special Piping Foot <Left>



- These feet are appropriate to sewing when there are some obstacles (ex. zipper) or when a side roller is installed at **right side**.

P301C-... Special Piping Foot <Right>



- These feet are appropriate to sewing when there are some obstacles (ex. zipper) or when a side roller is installed at **left side**.

BIAS PIPING FEET バイアスパイピング地縫い押え金

PIEDS POUR POSE DE BIAIS
PIES PRENSATELA PARA ADORNAR CON CORDÓN

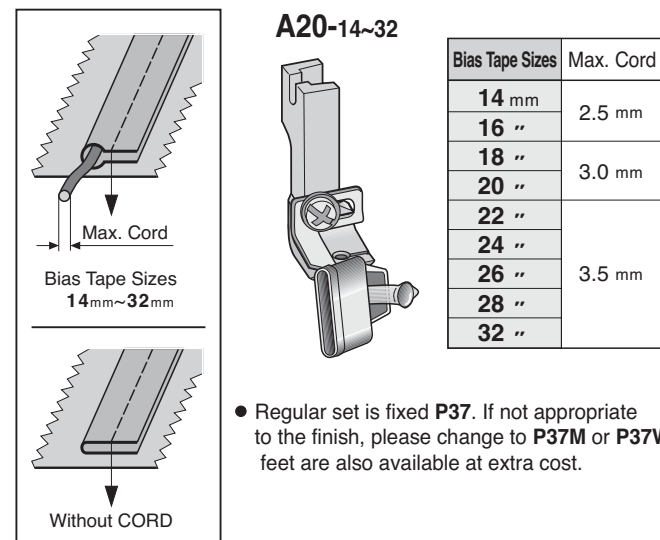
SCHRÄGBAND-KORDELFÜSSE
附帶沟的特殊压脚

Attachments



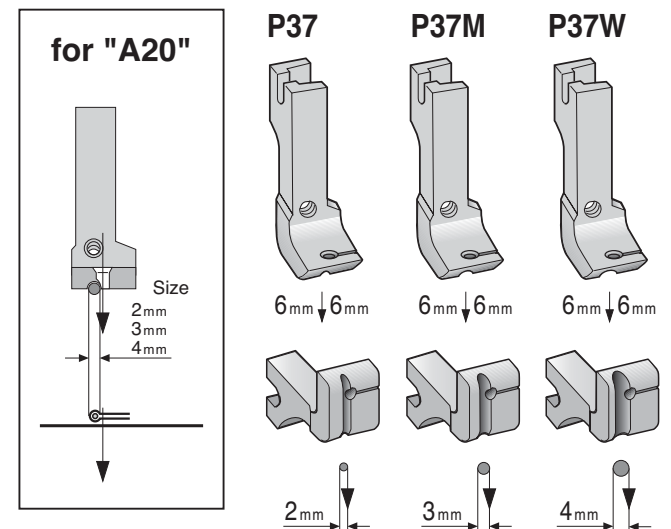
SUISEI®

A20- 14~32 Bias Cord Piping Foot



- Regular set is fixed **P37**. If not appropriate to the finish, please change to **P37M** or **P37W** feet are also available at extra cost.

P37, P37M, P37W Special Piping Foot for "A20"



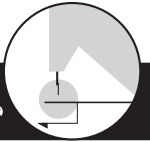
TAPE FEET テープ付け押え金

PIEDS ARTICULÉS POSE BANDE
PIES PRENSATELA DE TUBO

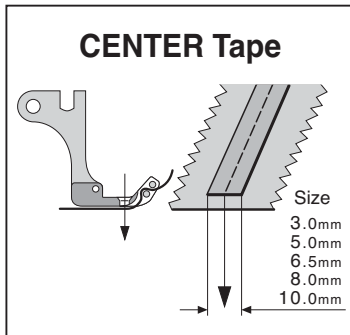
GELENK-BANDAUFNÄHFÜSSE
管状圧脚

Attachments

SUISEI®



TU30C~100C, TU50L~100L, TU50R~100R Hinged Tape Feet <Center> <Left> <Right>



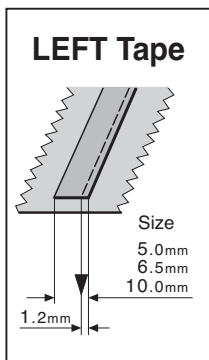
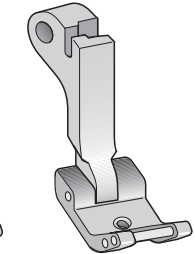
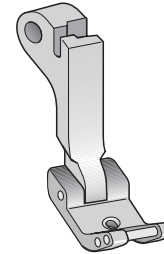
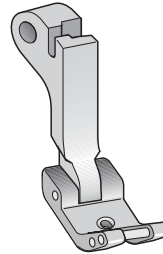
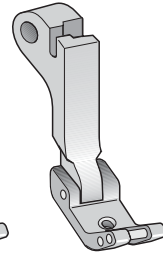
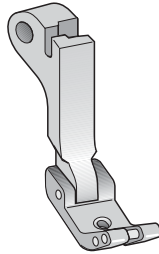
TU30C

TU50C

TU65C

TU80C

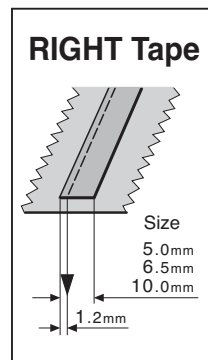
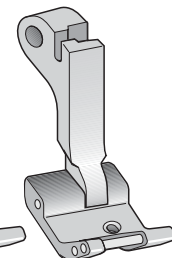
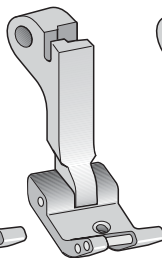
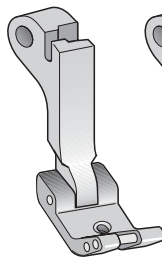
TU100C



TU50L

TU65L

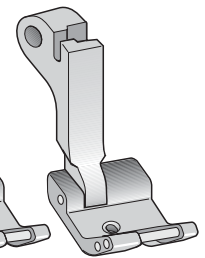
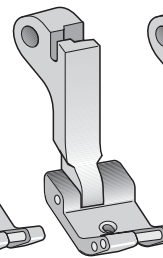
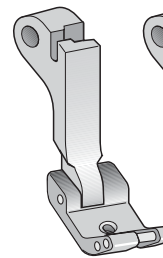
TU100L



TU50R

TU65R

TU100R



- Foot shoes are precisely grooved to needle position, and it enables to stabilize sewing tape on at curving and corner.

SOLID BLANK FEET 加工用固定押え金

PIEDS A SEMELLE BRUTE
PIES PRENSATELA DE PLANTILLA BRUTA

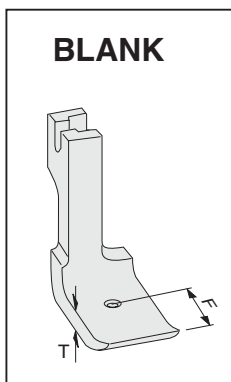
ROHLINGE
加工用圧脚

Attachments

SUISEI®



SP60, SP61, SP62, SP63, SP64, SP65 Solid Blank Feet



SP60

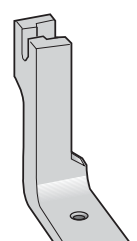
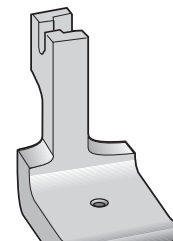
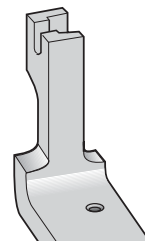
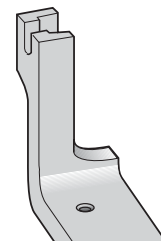
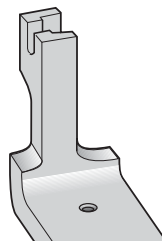
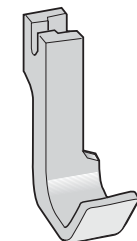
SP61

SP62

SP63

SP64

SP65



6mm ↓ 6mm

10mm ↓ 10mm

6mm ↓ 11mm

11mm ↓ 6mm

10.5mm ↓ 10.5mm

6.3mm ↓ 6.3mm

T = 3mm

T = 6mm

T = 6mm

T = 6mm

T = 6mm

T = 3mm

F = 15mm

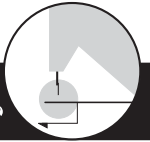
F = 15mm

F = 15mm

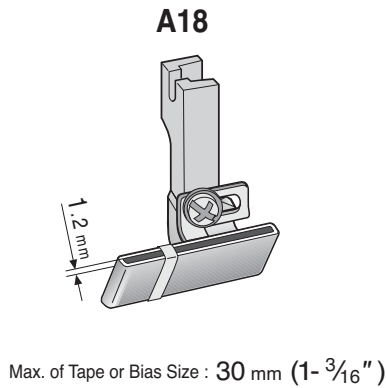
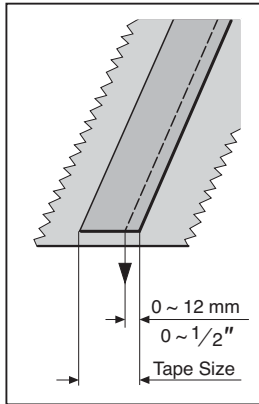
F = 14mm

F = 15mm

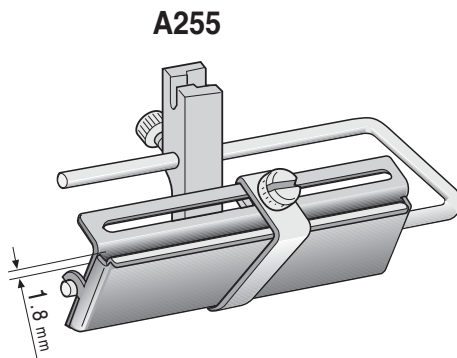
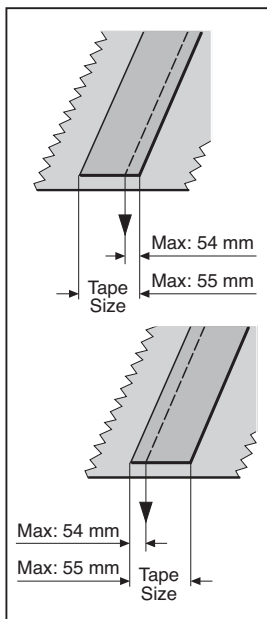
- These feet are not hardened, and can be easily cut away as you like.



A18 Adjustable Tape Foot <30mm>

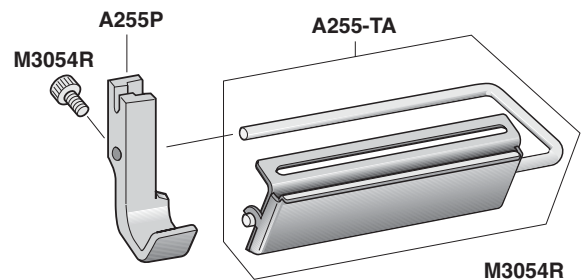


A255 Adjustable Tape Foot <55mm>

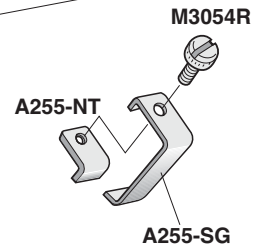


Max. of Tape or Bias Size : 55 mm (2-³/₁₆")

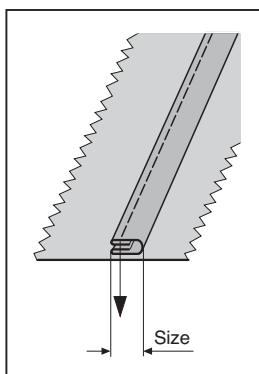
- This foot can be used at right or left side by adjusting guide position .



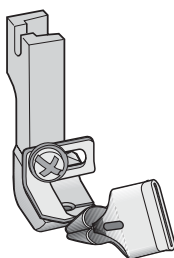
Part Number	Description
A255P	Presser Foot
A255-TA	Adjustable Tube Asm.
A255-SG	Slide Guide
A255-NT	Nut (M3x0.5)
M3054R	Screw (M3x0.5)



A21- 3~6.5 Bias Loop Piping Foot



A21- 3~6.5

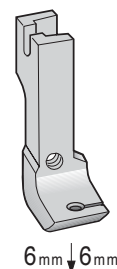


Bias Tape Sizes		Finished Sizes	
12 mm	1/2"	3 mm	1/8"
16 "	5/8"	4 "	5/32"
20 "	13/16"	5 "	3/16"
25 "	1"	6.5 "	1/4"

Use appropriate width of bias considering tape elasticity.

Foot and Parts for "A18" or "A21"

P39



Solid Foot for "A18,A21"

A18-PA

- A18-P1** Screw (9/64)
- A18-P2** Spring Washer
- A18-P3** Washer

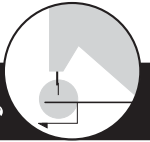
TEFLON FEET テフロン押え金

PIEDS TEFLON
PIES PRENSATELA DE TEFLON

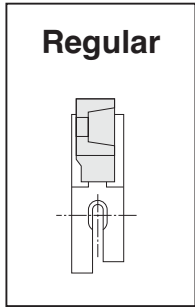
TEFLON-NÄHFÜSSE
特氟隆压脚

Attachments

SUISEI®

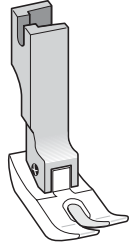


ST350 Teflon Foot <Regular>



Regular

ST350 NF



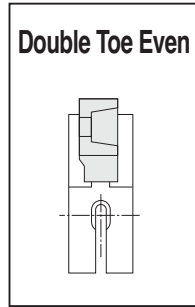
5.5mm ↓ 5.5mm

ST350B NF



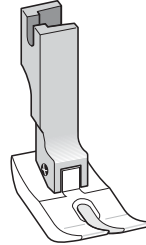
Teflon Shoe for "ST350"

ST35W Teflon Foot <Double Toe Even>



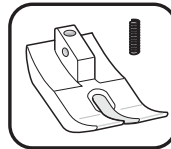
Double Toe Even

ST35W NF



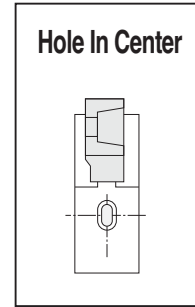
6.5mm ↓ 6.5mm

ST35WB NF



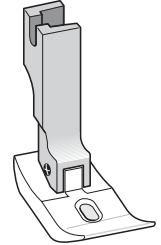
Teflon Shoe for "ST35W"

ST35CW Teflon Foot <Hole In Center>



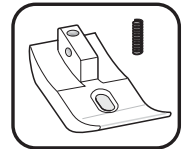
Hole In Center

ST35CW



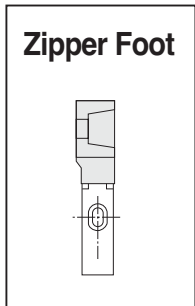
6.5mm ↓ 6.5mm

ST35CWB



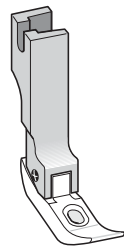
Teflon Shoe for "ST35CW"

ST363 Teflon Zipper Foot



Zipper Foot

ST363



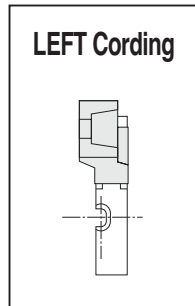
3mm ↓ 3mm

ST363B



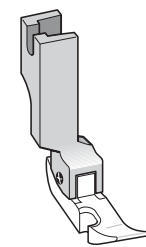
Teflon Shoe for "ST363"

ST36LN Teflon Cording Foot <Left>



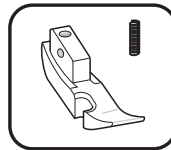
LEFT Cording

ST36LN



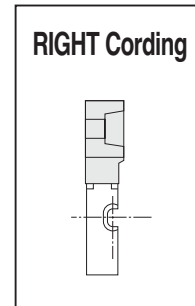
0.5mm ↓ 5.5mm

ST36LNB



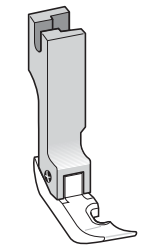
Teflon Shoe for "ST36LN"

ST36N Teflon Cording Foot <Right>



RIGHT Cording

ST36N



5.5mm ↓ 0.5mm

ST36NB



Teflon Shoe for "ST36N"

B20, CPS07 Spring and Screw for Teflon Feet

B20



ø2.0 mm

- All compensating presser feet [SR..., SL...] type, hinged feet [S...] and teflon feet [ST...] type have this spring.

CPS07



L=7.5 mm

- All compensating presser feet [SR..., SL...] type, hinged feet [S...] and teflon feet [ST...] type have this screw.

B30U, C06, C07, C1 Spring and Screws for Old Type

B30U



ø3.0 mm

T36N, T36LN
T36, T36L
T35, T35W
T35C, T35CW
T350, T363

C06



L=6.0 mm

T363

C07



L=7.0 mm

T36N
T36LN

C1



L=10.0 mm

T36, T36L
T35, T35W
T35C, T35CW
T350

- for Old Type Teflon Feet

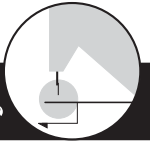
NYLON RING FOOT ナイロンリング押え金

PIEDS A ANNEAU NYLON
PIES PRENSATELA CON ANILLOS DE NYLÓN

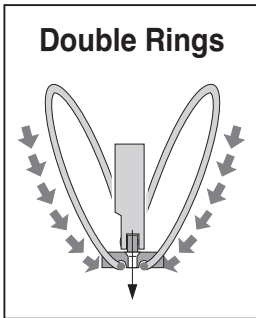
FÜSSE MIT NYLONRINGEN
尼龙环压脚

Attachments

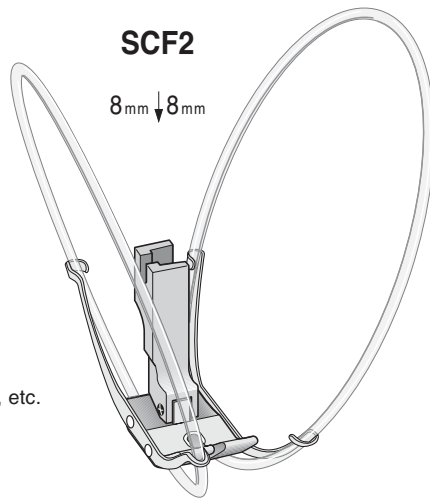
SUISEI®



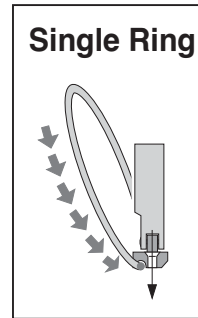
SCF2 Nylon Ring Foot



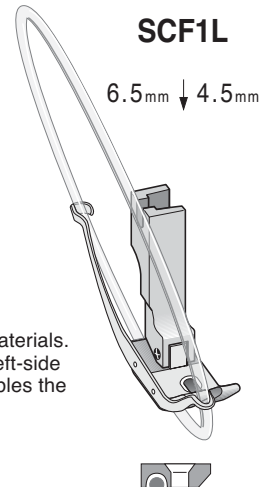
- Appropriate for slippery and problem materials, like Velvet, Plastic-coated, Rubber-backed, etc.



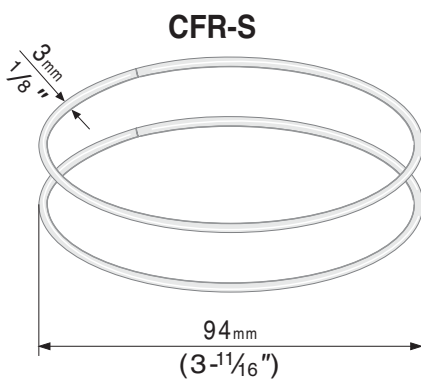
SCF1L Left Nylon Ring Foot



- Appropriate for slippery materials. Especially single ring on left-side and narrow foot shoe enables the sewing of the small bag.



CFR-S Replacement Nylon Rings for "CF2-S"



- Please change a couple of the rings when replacing.

HINGED FEET for SPECIAL MACHINE 自由押え金 (特殊マシン用)

PIEDS ARTICULÉS POUR SPECIAL MACHINES
PIES PRENSATELA DE BISAGRA PARA ESPECIAL MÁQUINAS

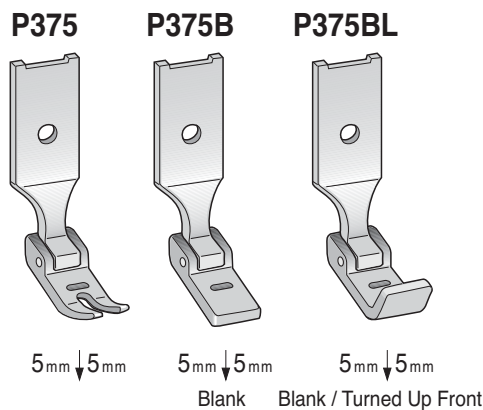
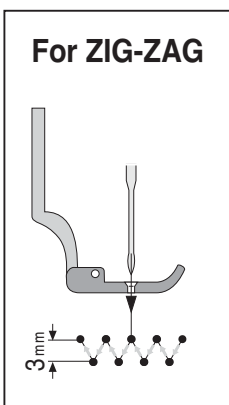
GELLENFÜSSE FÜR SPEZIAL NÄHMASCHINEN
活动压脚 (特殊缝纫机用)

Attachments

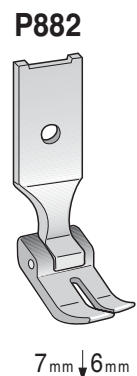
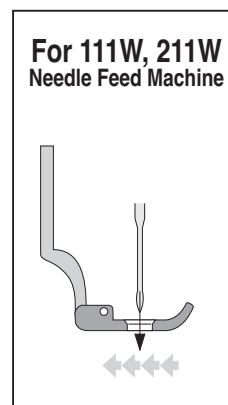
SUISEI®

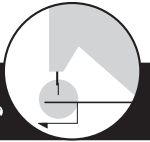


P375, P375B, P375BL Hinged Feet for Zig-Zag Machine

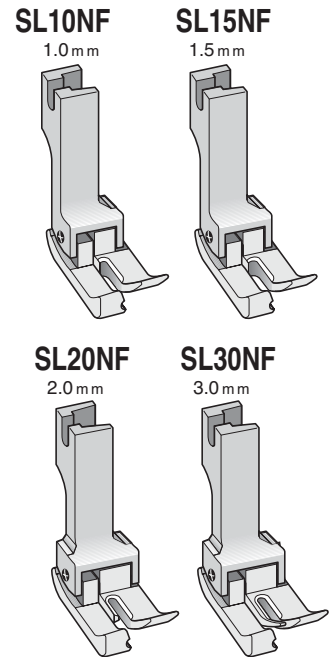
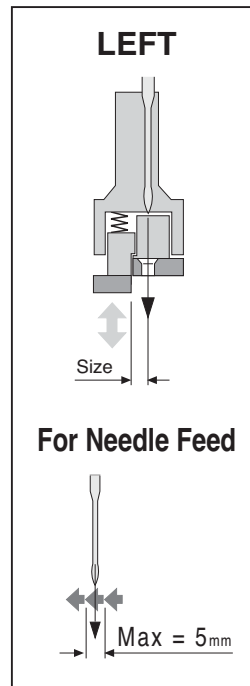
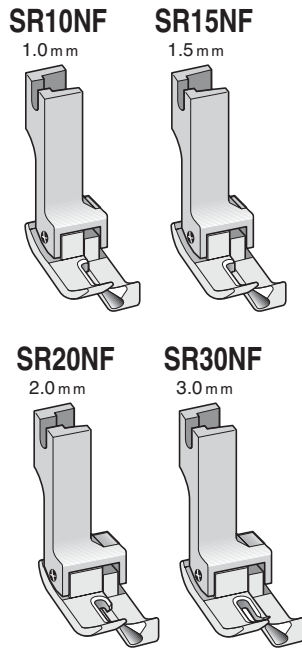
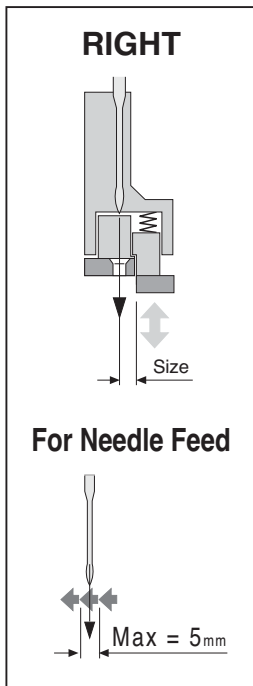


P882 Hinged Foot for 111W, 211W

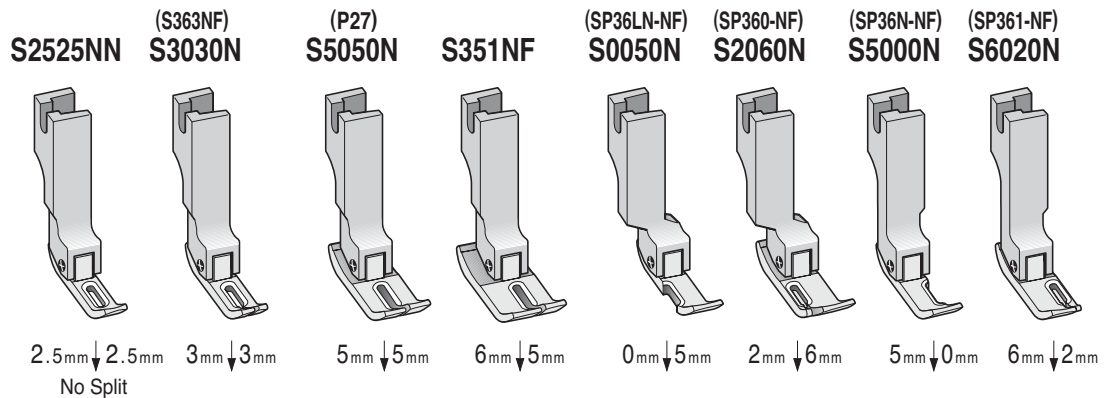
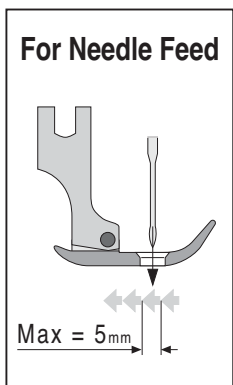




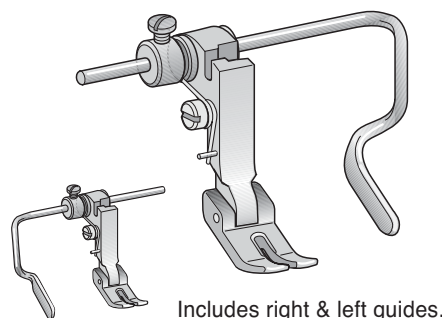
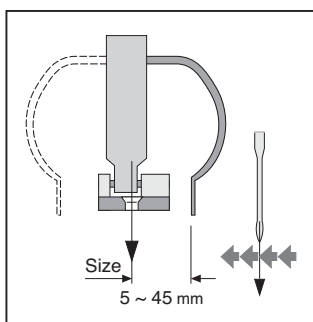
SR10NF~SR30NF, SL10NF~SL30NF Compensating Feet For Needle Feed Machine



S...N, S351NF Hinged Feet for Needle Feed Machine (One Needle)



P723NF Hinged Quilter Foot with Right & Left Guides for Needle Feed
左右ガイド付き自由ステッチ押え金 針送り用

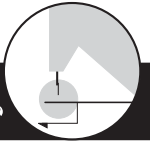


Be careful

- Not use for plain sewing machine, will cause "Skip stitch".
Because these are for needle feed machine.

FEET for NEEDLE FEED MACHINE 各種押え金 (針送りミシン用)

Attachments



PIEDS POUR ENTRÎNEMENT PAR AIGUILLE

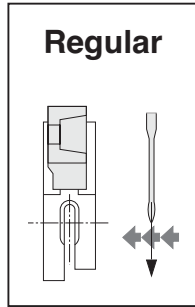
FÜSSE FÜR NADELTRANSPORT

PIES PRENSATELA PARA ARRASTRE POR AGUJA

针送布縫紉机用压脚

SUISEI®

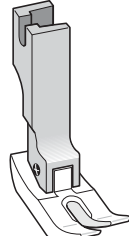
ST350NF Teflon Foot <Regular> for Needle Feed



Regular

ST350NF

Teflon Shoe for "ST350NF"

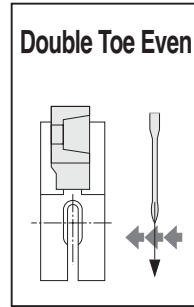


ST350NFB



5.5mm ↓ 5.5mm

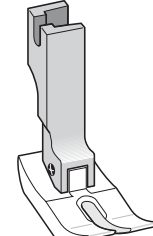
ST35WNF Teflon Foot <Double Toe Even> for Needle Feed



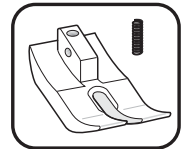
Double Toe Even

ST35WNF

Teflon Shoe for "ST35WNF"



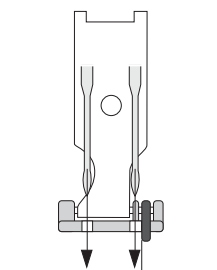
ST35WNFB



6.5mm ↓ 6.5mm

P112B-..., P112J-1/4 Hinged Brassiere Feet, Two Needle Compensating Foot for Jeans

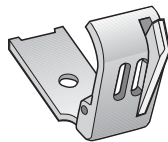
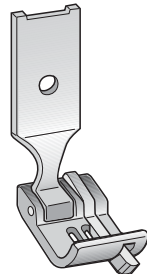
COMPENSATING



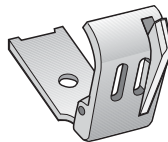
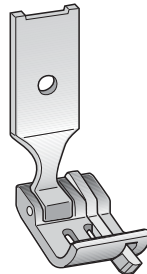
P112B- Size 1mm

- For brassiere, shirts or thin materials.

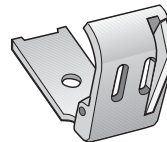
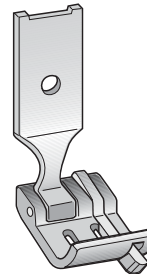
P112B-1/8
3.2mm



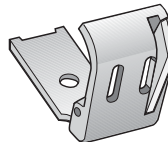
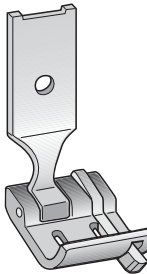
P112B-3/16
4.8mm



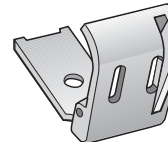
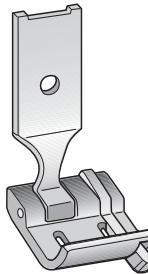
P112B-1/4
6.4mm



P112B-5/16
8.0mm



P112B-3/8
9.5mm



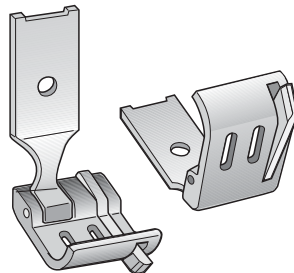
For HEAVY Mat.



P112J- Size 2mm

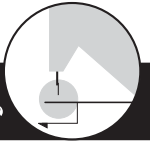
- For jeans or heavy materials.

P112J-1/4
6.4mm



BINDING FEET バインダー用押え金

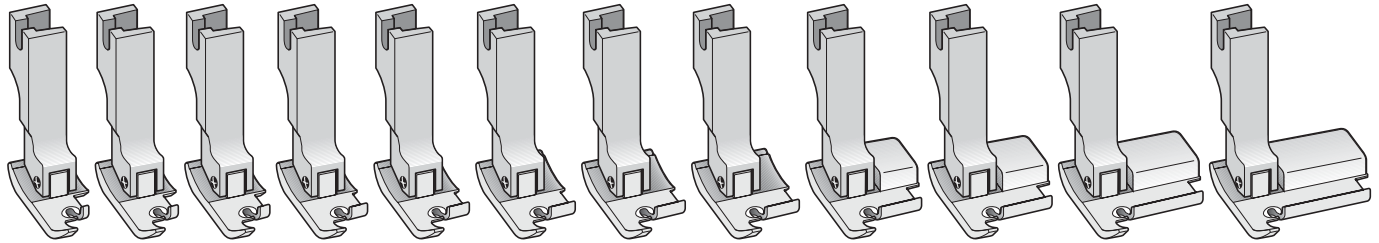
Attachments



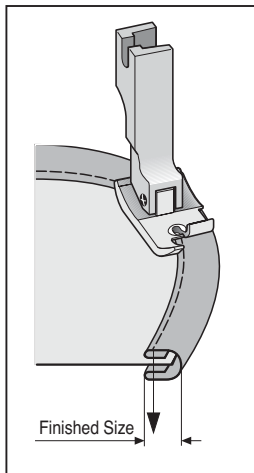
PIEDS POUR BORDEURES ET OURLEUR FÜSSE FÜR EINFASSEN UND SÄUMER
PIES PRENSATELA PARA RIBETADORES 滚边及褶边压脚

SA40~SA250 Hinged Binding Feet

SA40 SA45 SA55 SA65 SA75 SA85 SA95 SA105 SA130 SA150 SA200 SA250



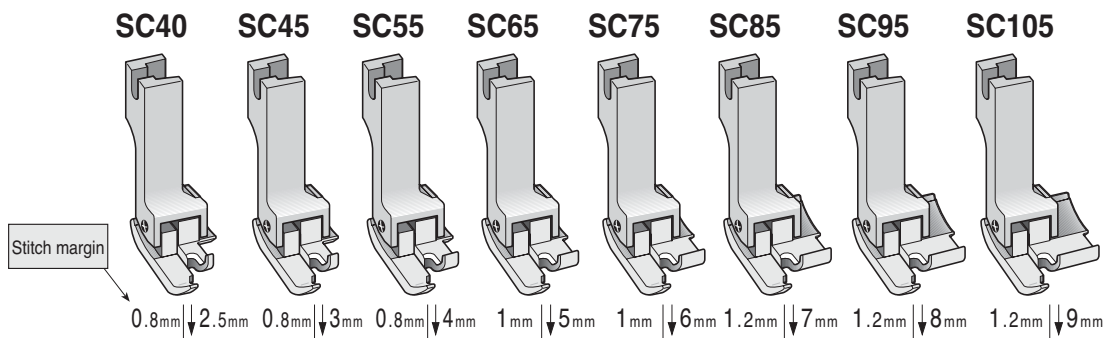
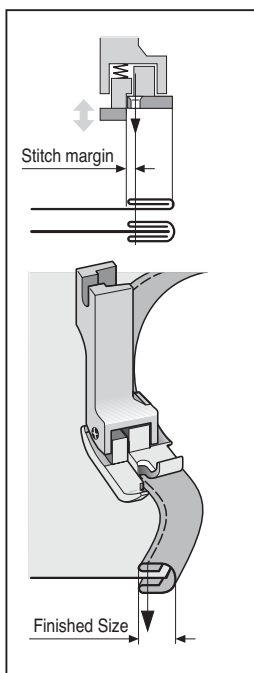
6mm ↓ 2.5mm 6mm ↓ 3mm 6mm ↓ 4mm 6mm ↓ 5mm 6mm ↓ 6mm 6mm ↓ 7mm 6mm ↓ 8mm 6mm ↓ 9mm 6mm ↓ 11mm 6mm ↓ 13mm 6mm ↓ 18mm 6mm ↓ 22mm



SA...	A10S	A1S	A2S	A4S	A9S	A5S	A5BS	A11S (A110S)
	Bias Tape Sizes	Bias Tape Sizes	Bias Tape Sizes	Tape Sizes	Bias Tape Sizes			
SA40	16	20	20	10	—	—	—	—
SA45	18, 20	22	22	—	—	—	—	—
SA55	22, 24	24, 26	24	13	25	5	—	6 mm
SA65	26, 28	28, 30	—	—	28	—	—	—
SA75	30, 32	32	—	16	32	8	8	8 mm
SA85	—	36	—	—	—	—	—	—
SA95	36	40	—	19	—	10	10	10 mm
SA105	40	—	—	22, 25	38	12	12	—
SA130	45	—	—	—	—	—	—	13 mm
SA150	50	—	—	—	—	15, 18	15, 18	15, 18 mm
SA200	—	—	—	—	—	20, 24	20, 24	20 mm
SA250	—	—	—	—	—	30, 40	—	25 mm ~

You can locate the folder near needle position and sew easily curving edge.

SC40~SC105 Compensating Binding Feet



SC...	A10C	A1S	A2S	A4S	A9S	A5S	A5BS	A11S (A110S)
	Bias Tape Sizes	Bias Tape Sizes	Bias Tape Sizes	Tape Sizes	Bias Tape Sizes			
SC40	16	20	20	10	—	—	—	—
SC45	18, 20	22	22	—	—	—	—	—
SC55	22, 24	24, 26	24	13	25	5	—	6 mm
SC65	26, 28	28, 30	—	—	28	—	—	—
SC75	30, 32	32	—	16	32	8	8	8 mm
SC85	—	36	—	—	—	—	—	—
SC95	36	40	—	19	—	10	10	10 mm
SC105	40, 45, 50	—	—	22, 25	38	12 ~	12 ~	13 mm ~

These feet keep much stabler stitch margin because left guide shoe holds edge of binding or hemming.

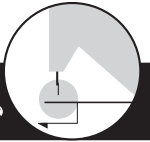
• The contents in above table may be different from fact because of material thickness or elasticity of tape.

BINDERS, FOLDERS, HEMMERS

<i>RIGHT ANGLE BIAS BINDERS</i>		
<i>DOUBLE FOLD BIAS BINDERS</i>	A10S, A10C, A10H, A1S, A9S	
<i>SINGLE FOLD BIAS BINDER</i>		
<i>BRAID OR TAPE BINDER</i>	A2S, A4S	
<i>BELT AND LOOP FOLDER</i>		
<i>STRAIGHT FOLDER</i>	A5S, A5BS	
<i>TAPE GUIDES</i>	AG50S, A18, A255	
<i>HEMMERS</i>	A11S, A110S, A50, A78S, A43L, H6010	
<i>SINGLE TURN FELLERS</i>	A7SU, A7SD, H5017, H5019, H5020	
<i>CORD ATTACHMENT</i>	A46NP, A46NPB	
<i>FOLDERS FOR TWO NEEDLE MACHINE</i>		
<i>SPRING TYPE LAP SEAM FOLDERS</i>	A36, A41, A30, A31, A32, A34	

RIGHT ANGLE BIAS BINDERS バイアスバインダー (カノコラップ)

Attachments



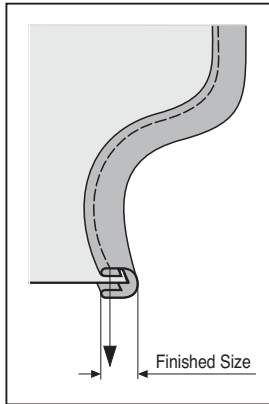
BORDEUR ANGULAIRE
RIBETADOR

DOPPEL-SCHRÄGBANDEINFASSER
正角滚边器

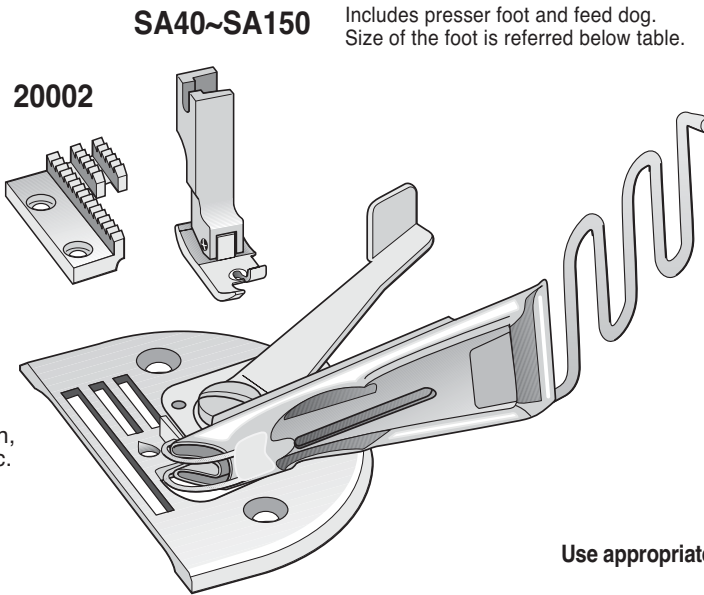
SUISEI®

A10S- 16~50

Right Angle Bias Binder <with presser foot and feed dog>



- For inside curving operation, like neck-line, arm-hole, etc.



SA40~SA150

Includes presser foot and feed dog.
Size of the foot is referred below table.

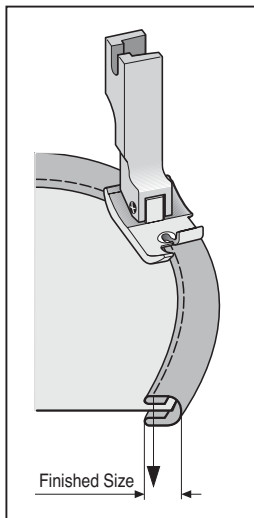
20002

Bias Tape Sizes		Finished Sizes
16 mm	5/8"	4.0 mm
18 "	11/16"	4.5 "
20 "	3/4"	5.0 "
22 "	7/8"	5.5 "
24 "	15/16"	6.0 "
26 "	1"	6.5 "
28 "	1-1/8"	7.0 "
30 "	1-3/16"	8.0 "
32 "	1-1/4"	8.5 "
36 "	1-3/8"	10.0 "
40 "	1-1/2"	11.5 "
45 "	1-3/4"	13.0 "
50 "	2"	16.0 "

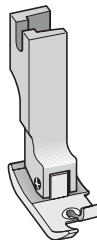
Use appropriate width of bias considering elasticity.

- The contents in above table may be different from fact and depend on material thickness or elasticity of tape.

Feet for "A10S-"

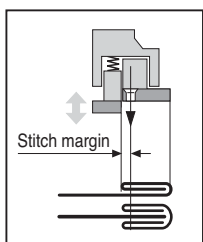


SA...

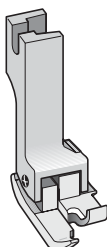


SA...	A10S Bias Tape Sizes
SA40	16
SA45	18, 20
SA55	22, 24
SA65	26, 28
SA75	30, 32
SA85	—
SA95	36
SA105	40
SA130	45
SA150	50
SA200	—
SA250	—

Ref. ➔ P.24



SC...

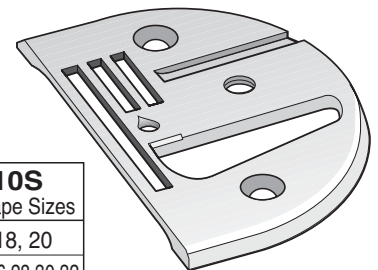


SC...	Stitch margin	A10S Bias Tape Sizes
SC40	0.8 mm	16
SC45	0.8	18, 20
SC55	0.8	22, 24
SC65	1.0	26, 28
SC75	1.0	30, 32
SC85	1.2	—
SC95	1.2	36
SC105	1.2	40, 45, 50

Ref. ➔ P.24

Needle Plates for "A10S-"

A10N-... Needle Plate for A10S

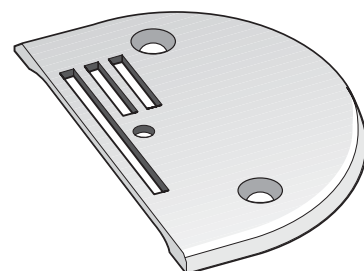


A10N-.....	A10S Bias Tape Sizes
A10N-160 SUISEI-1	16, 18, 20
A10N-222 SUISEI-2	22, 24, 26, 28, 30, 32
A10N-360 SUISEI-3	36, 40
A10N-450 SUISEI-4	45, 50

Stamp mark

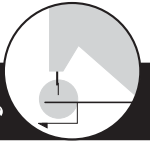
These needle plates are not interchangeable with old type "A10-".

12442 Plain Needle Plate for 20002



RIGHT ANGLE BIAS BINDERS バイアスバインダー (カノコラップ)

Attachments



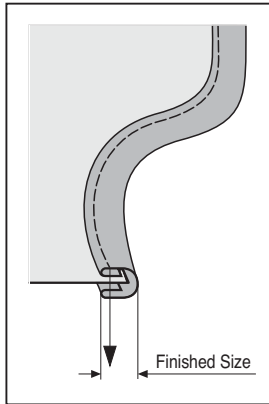
BORDEUR ANGULAIRE
RIBETADOR

DOPPEL-SCHRÄGBANDEINFASER
正角滚边器

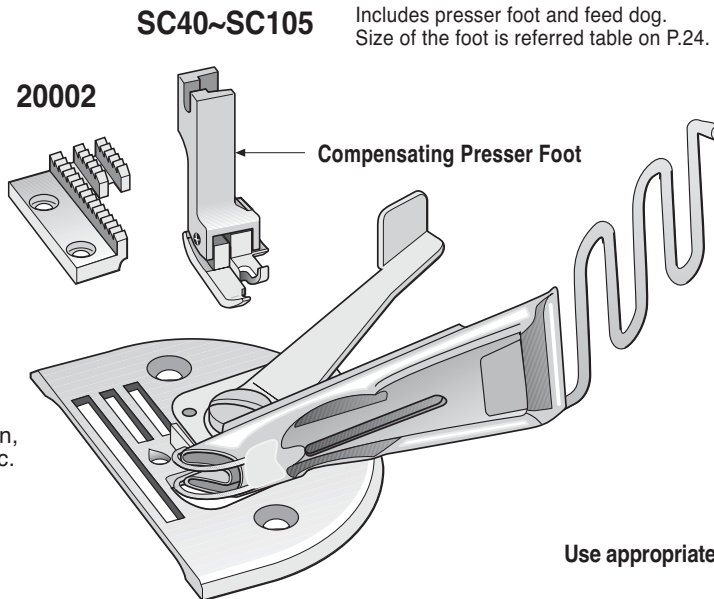
SUISEI®

A10C- 16~50

Right Angle Bias Binder <with compensating presser foot and feed dog>



- For inside curving operation, like neck-line, arm-hole, etc.



Includes presser foot and feed dog.
Size of the foot is referred table on P.24.

Bias Tape Sizes		Finished Sizes
16 mm	5/8"	4.0 mm
18 "	11/16"	4.5 "
20 "	3/4"	5.0 "
22 "	7/8"	5.5 "
24 "	15/16"	6.0 "
26 "	1"	6.5 "
28 "	1-1/8"	7.0 "
30 "	1-3/16"	8.0 "
32 "	1-1/4"	8.5 "
36 "	1-3/8"	10.0 "
40 "	1-1/2"	11.5 "
45 "	1-3/4"	13.0 "
50 "	2"	16.0 "

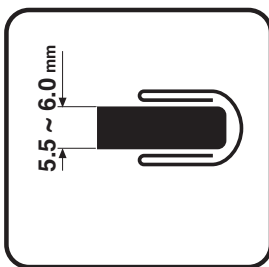
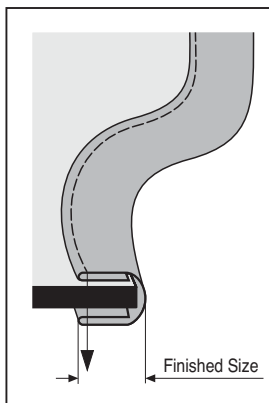
Use appropriate width of bias considering elasticity.

- Guide shoe of compensating binding foot holds edge of binding, and the finished size is kept much stabler at even inside curving operation.

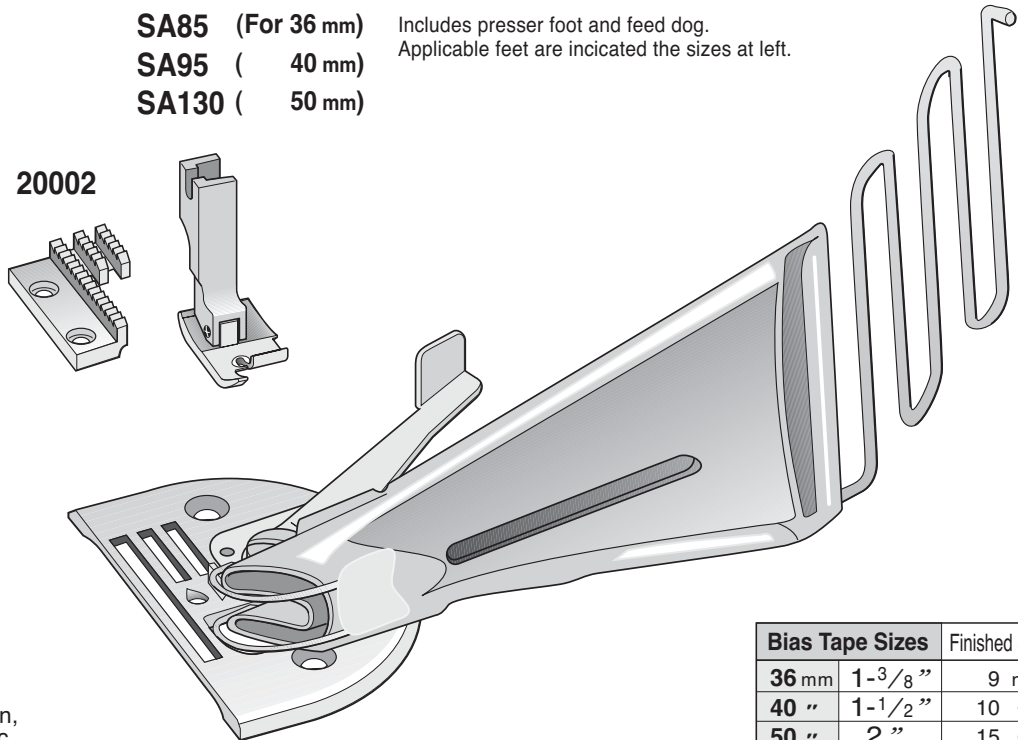
- The contents in above table may be different from fact and depend on material thickness or elasticity of tape.

A10H- 36, 40, 50

Right Angle Bias Binder for Heavy Material <with presser foot and feed dog>



- For inside curving operation, like neck-line, arm-hole, etc.



SA85 (For 36 mm) Includes presser foot and feed dog.
SA95 (40 mm) Applicable feet are indicated the sizes at left.
SA130 (50 mm)

Bias Tape Sizes		Finished Sizes
36 mm	1-3/8"	9 mm
40 "	1-1/2"	10 "
50 "	2"	15 "

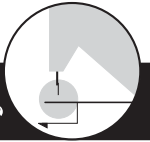
BIAS BINDERS バイアスバインダー

BORDEURS DE BIAS
RIBETADORES DE BIES

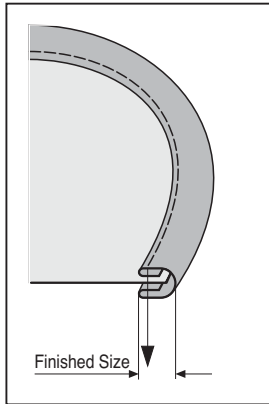
SCHRÄGBANDEINFASSER
滚边器

Attachments

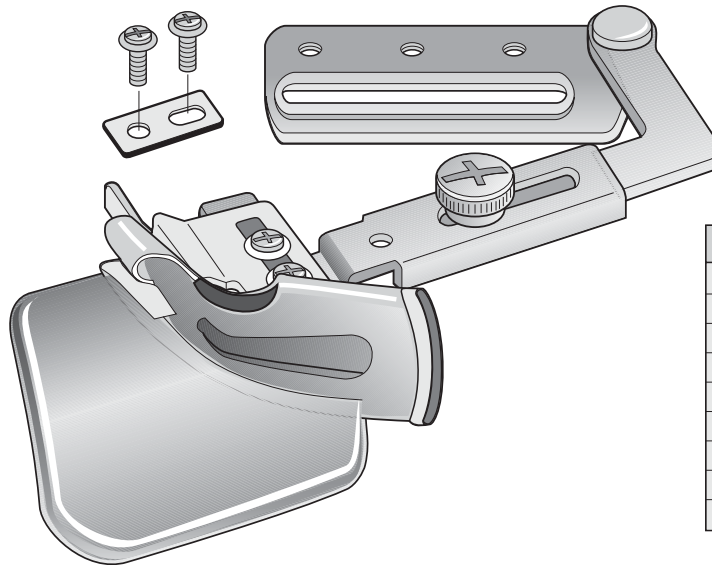
SUISEI®



A1S- 20~40 Double Fold Bias Binder

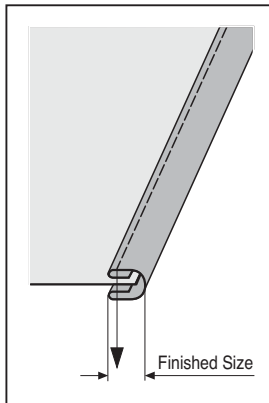


• For straight edges and outside curving.

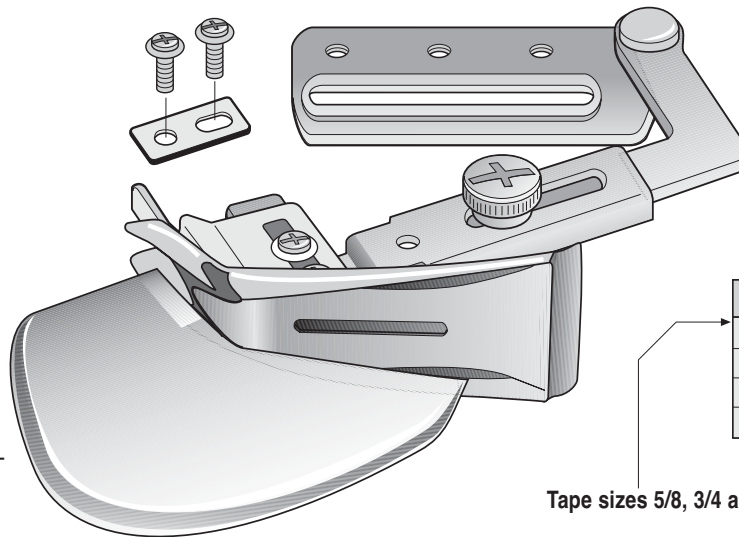


Bias Tape Sizes	Finished Sizes	
20 mm	3/4"	5.0 mm
22 "	7/8"	5.5 "
24 "	15/16"	6.0 "
26 "	1 "	6.5 "
28 "	1-1/8"	7.0 "
30 "	1-3/16"	7.5 "
32 "	1-1/4"	8.0 "
36 "	1-3/8"	9.5 "
40 "	1-1/2"	10.5 "

A9S- 25~38 Double Fold Bias Binder



• For a variety of works including thin vinyl tape binding.

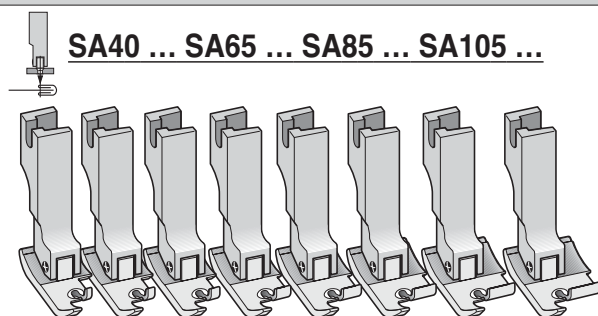


Bias Tape Sizes	Finished Sizes	
25 mm	1 "	6.5 mm
28 "	1-1/8"	7.5 "
32 "	1-1/4"	8.5 "
38 "	1-1/2"	10.5 "

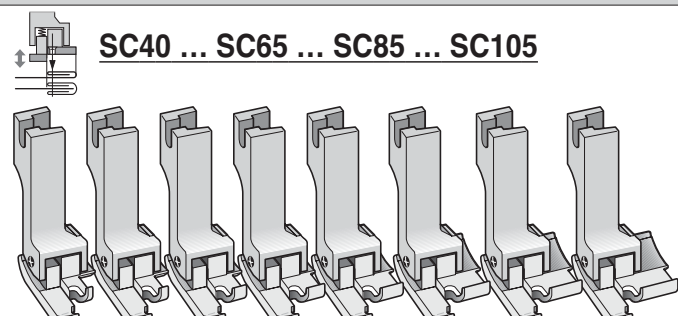
Tape sizes 5/8, 3/4 and 7/8 inches are discontinued.

• The contents in above table may be different from fact and depend on material thickness or elasticity of tape.

Applicable parts for "A1S" and "A9S" (at extra cost)



• Easy operation for small curving edge. Ref. → P.24



• Stabler stitch margin and easy operation for curving edge. Ref. → P.24



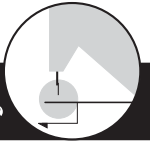
BIAS BINDERS バイアスバインダー

BORDEURS DE BIAS
RIBETADORES DE BIES

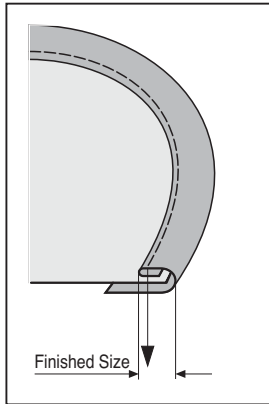
SCHRÄGBANDEINFASSER
滚边器

Attachments

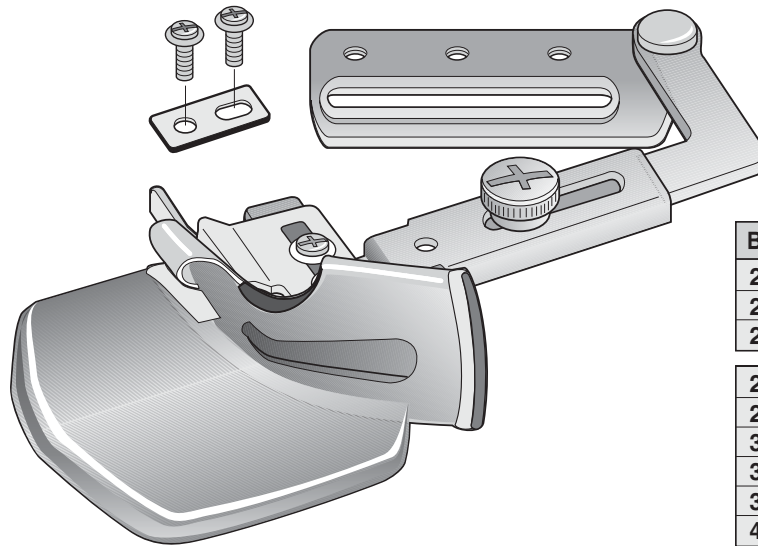
SUISEI®



A2S- 20~24, 26~40 Single Fold Bias Binder



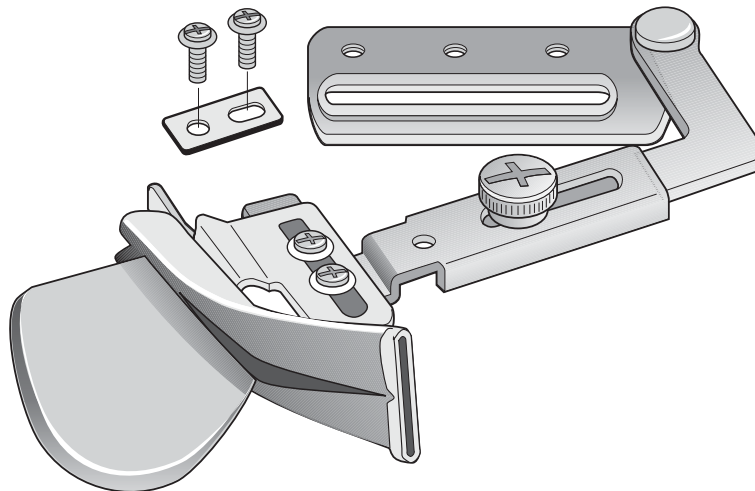
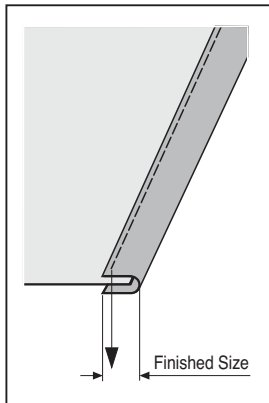
• For straight edges and outside curving.



Bias Tape Sizes		Finished Sizes
20 mm	3/4"	5.0 mm
22 "	7/8"	5.5 "
24 "	15/16"	6.0 "

26 mm	1 "	6.5 mm
28 "	1-1/8"	8.0 "
30 "	1-3/16"	9.0 "
32 "	1-1/4"	10.0 "
36 "	1-3/8"	11.0 "
40 "	1-1/2"	12.0 "

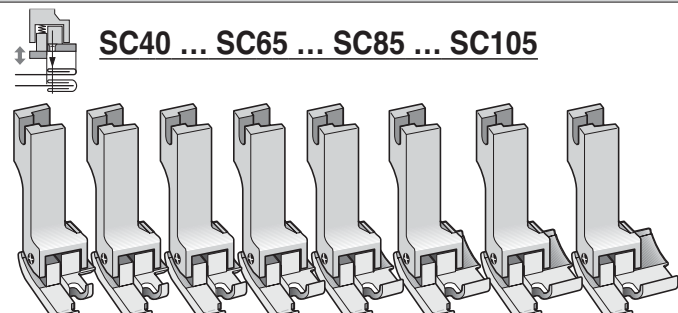
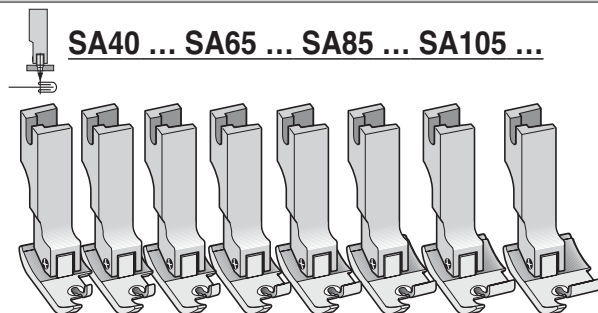
A4S- 10~25 Braid or Tape Binder



Bias Tape Sizes		Finished Sizes
10 mm	3/8"	4.5 mm
13 "	1/2"	6.0 "
16 "	5/8"	7.5 "
20 "	3/4"	9.0 "
22 "	7/8"	10.5 "
25 "	1 "	12.0 "

• The contents in above table may be different from fact and depend on material thickness or elasticity of tape.

Applicable parts for "A2S" and "A4S" (at extra cost)

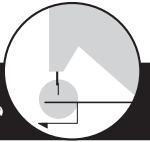


• Easy operation for small curving edge. Ref. → P.24

• Stabler stitch margin and easy operation for curving edge. Ref. → P.24

STRAIGHT FOLDERS 縦生地用フォルダー

Attachments

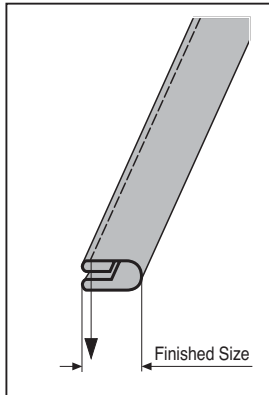


BORDEURS
RIBETADORES

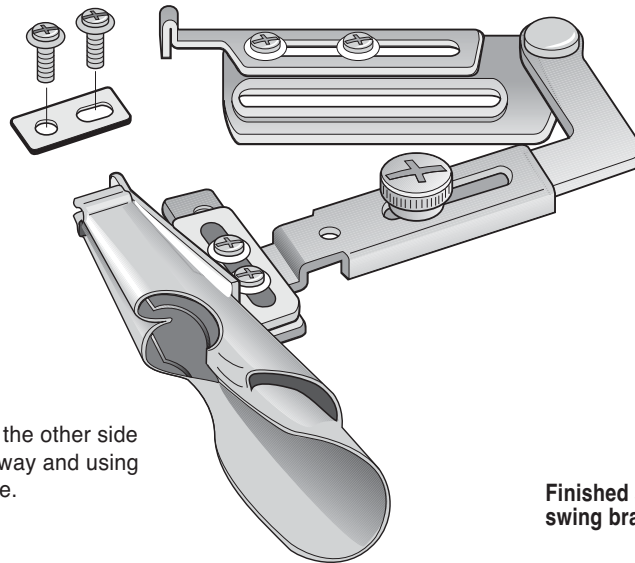
BANDEINFASSER FÜR GERADE NÄHTE
直线褶边器

SUISEI®

A5S- 5~40 Belt and Loop Folder



- Easy stitching on the corner or the other side of the belt by swinging folder away and using the adjustable guide as a gauge.

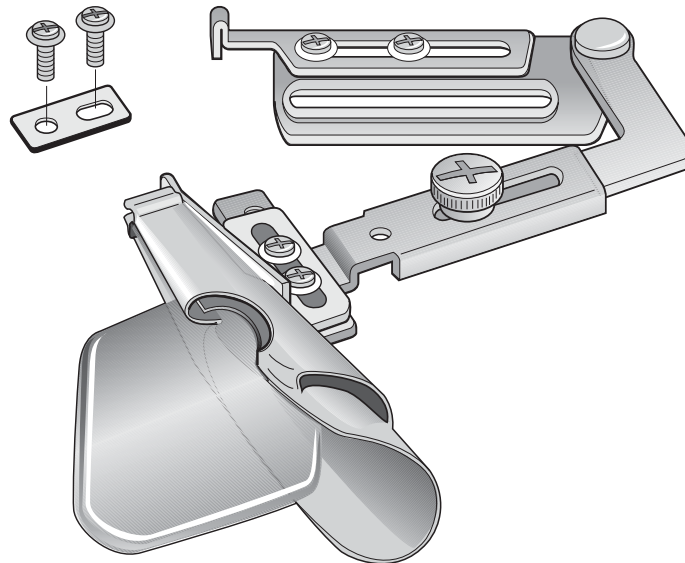
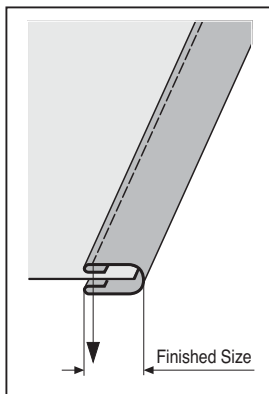


Tape Sizes	Finished Sizes	
18 mm	5 mm	3/16"
26 "	8 "	5/16"
30 "	10 "	3/8"
36 "	12 "	1/2"
45 "	15 "	9/16"
52 "	18 "	11/16"
58 "	20 "	13/16"
70 "	24 "	15/16"

82 mm	30 mm	1-3/16"
105 "	40 "	1-9/16"

Finished sizes 30mm and 40mm have the different swing bracket from this illustration.

A5BS- 8~24 Straight Folder



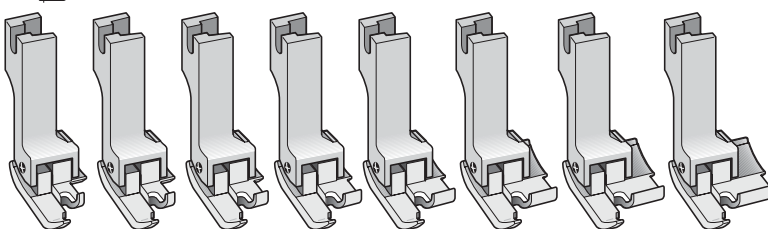
Tape Sizes	Finished Sizes	
26 mm	8 mm	5/16"
30 "	10 "	3/8"
36 "	12 "	1/2"
45 "	15 "	9/16"
52 "	18 "	11/16"
58 "	20 "	13/16"
70 "	24 "	15/16"

Applicable parts for "A5S" and "A5BS" (at extra cost)

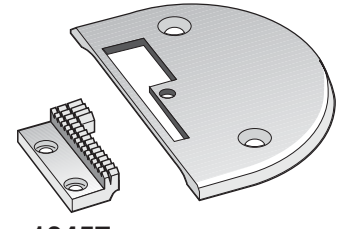
"A5S"・"A5BS"用部品 (別売)



SC40 ... SC65 ... SC85 ... SC105



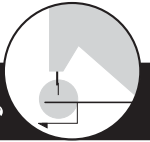
SA



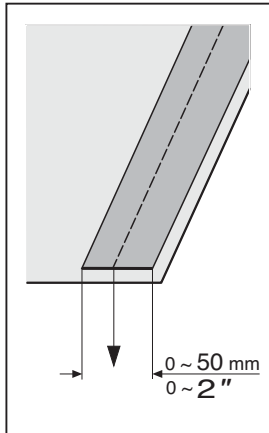
12457

Ref. → P.40

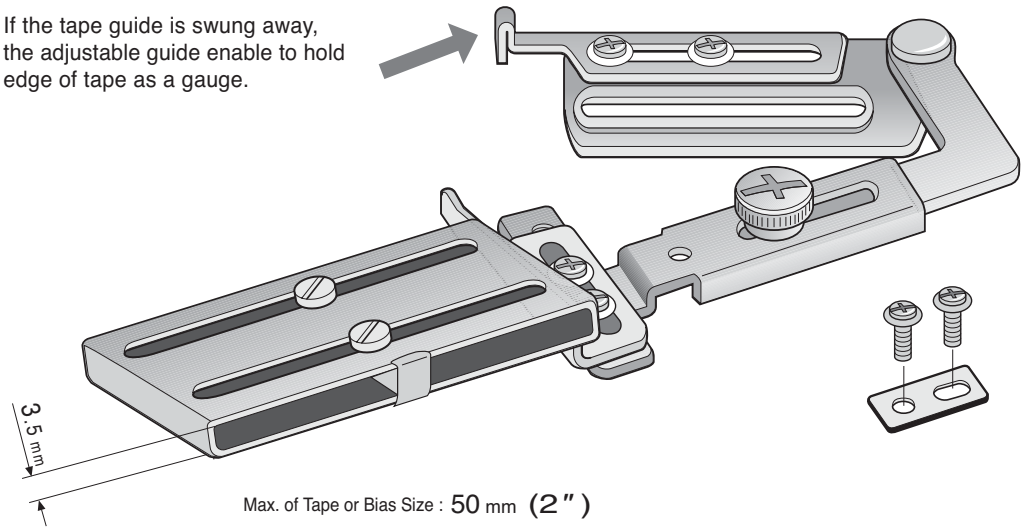
- Stabler stitch margin and easy operation for curving edge. Ref. → P.24



AG50S Adjustable Tape Guide

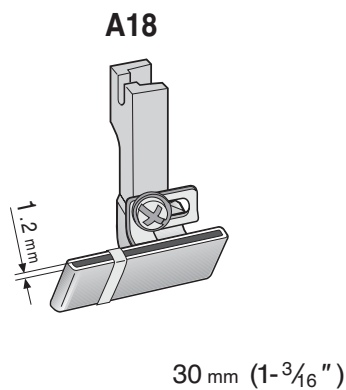
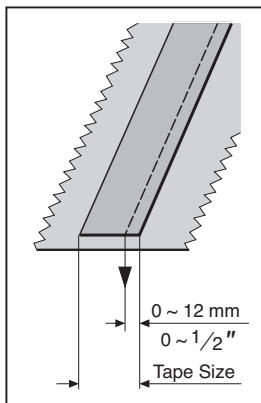


- If the tape guide is swung away, the adjustable guide enable to hold edge of tape as a gauge.



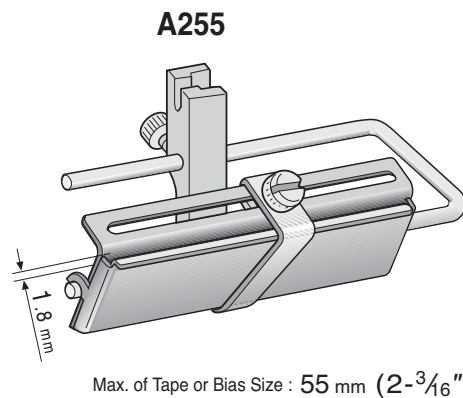
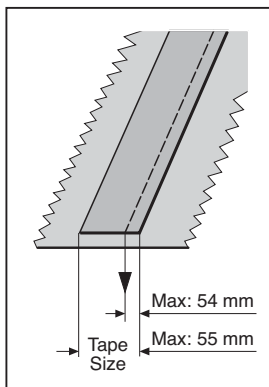
A18 Adjustable Tape Foot <30mm>

→ P.19

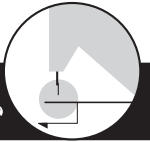


A255 Adjustable Tape Foot <55mm>

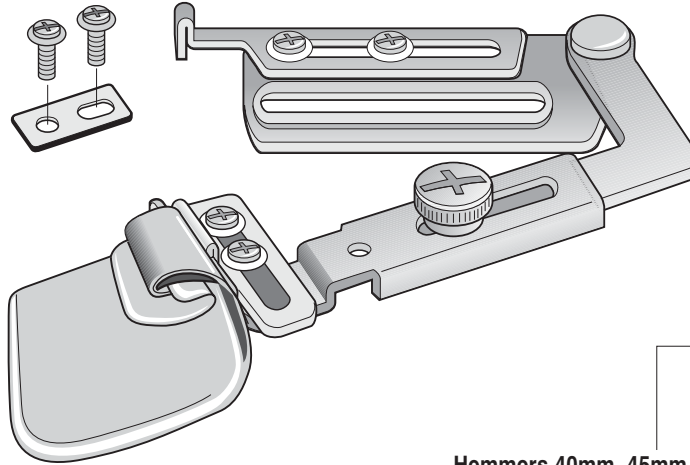
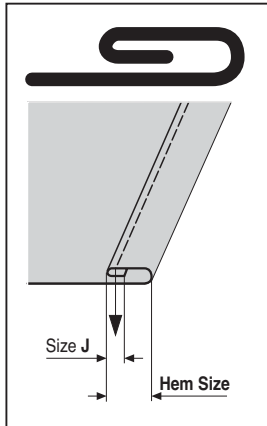
→ P.19



- This foot can be used at right or left side with adjusting guide position.



A11S- 6~50 J-type Swing Hemmer

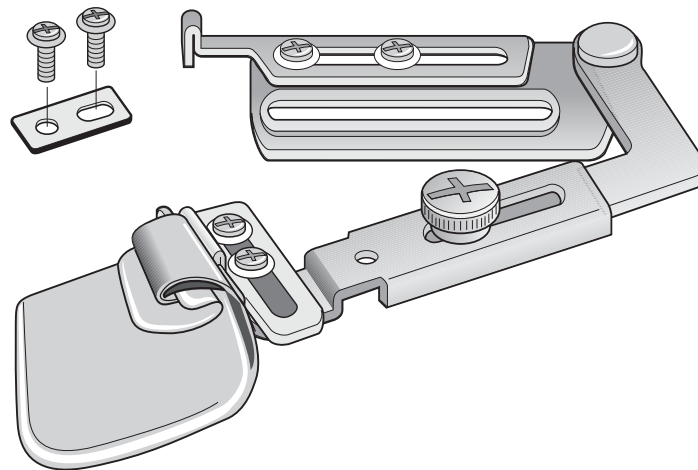
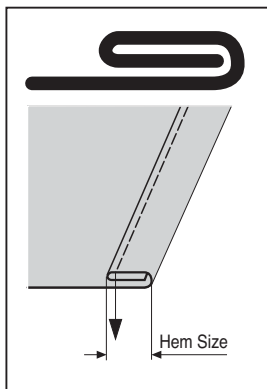


Hem Sizes		Sizes J
6 mm	1/4"	5 mm
8 "	5/16"	7 "
10 "	3/8"	5 "
13 "	1/2"	6 "
15 "	9/16"	6 "
18 "	11/16"	7 "
20 "	13/16"	7 "
25 "	1 "	8 "
30 "	1-3/16"	9 "
35 "	1-3/8"	9 "

40 mm	1-9/16"	9 mm
45 "	1-3/4"	10 "
50 "	2 "	10 "

Hemmers 40mm, 45mm and 50mm have the different swing bracket from this illustration.

A110S- T8, T10, T15, T20, T25, M10, M15, M20, M25 Full Fold Swing Hemmer



Hem Sizes		
Thin mat.	T 8 mm	5/16"
	T 10 "	3/8"
	T 15 "	9/16"
	T 20 "	13/16"
	T 25 "	1 "

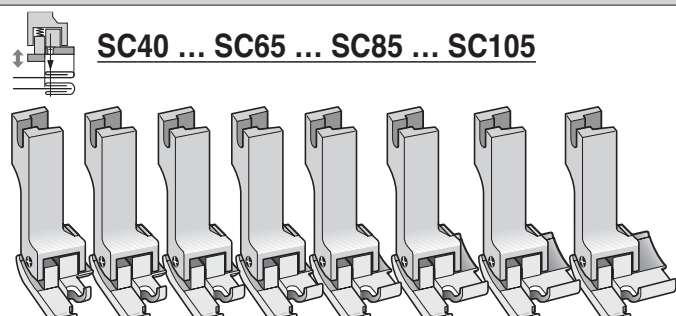
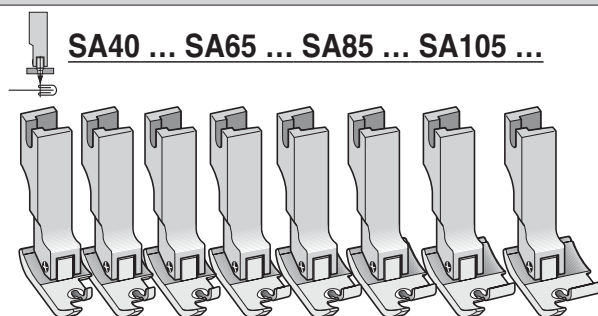
New
New

Medium mat.	M 10 mm	3/8"
	M 15 "	9/16"
	M 20 "	13/16"
	M 25 "	1 "

New
New

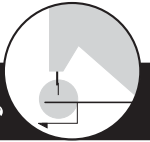
• For fully folding in the hem of the fabric.

Applicable parts for "A11S" and "A110S" (at extra cost)

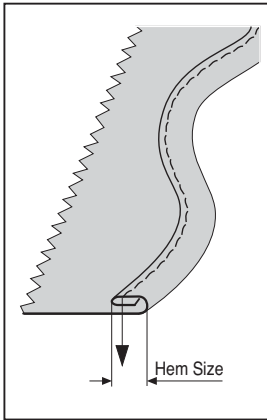


• Easy operation for small curving edge. Ref. → P.24

• Stabler stitch margin and easy operation for curving edge. Ref. → P.24



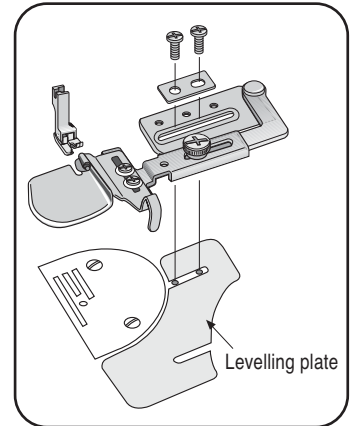
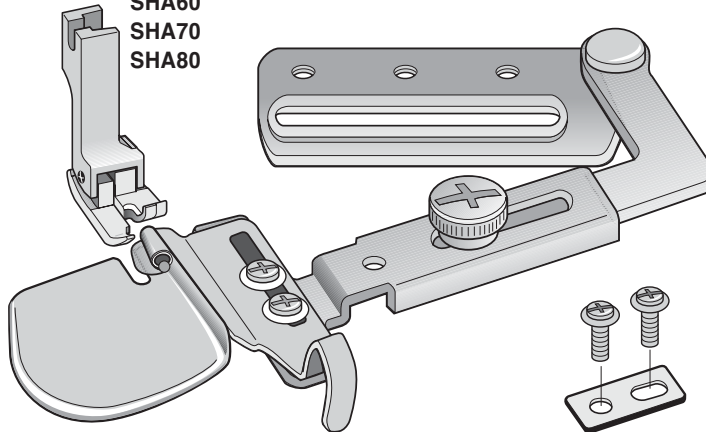
A50- 3~8 Swing Hemmer <Small Size>



- For curve edge on thin or medium materials.

Includes presser foot, levelling plate, screws and washer.

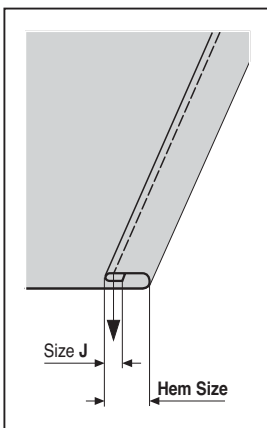
SHA30
SHA40
SHA50
SHA60
SHA70
SHA80



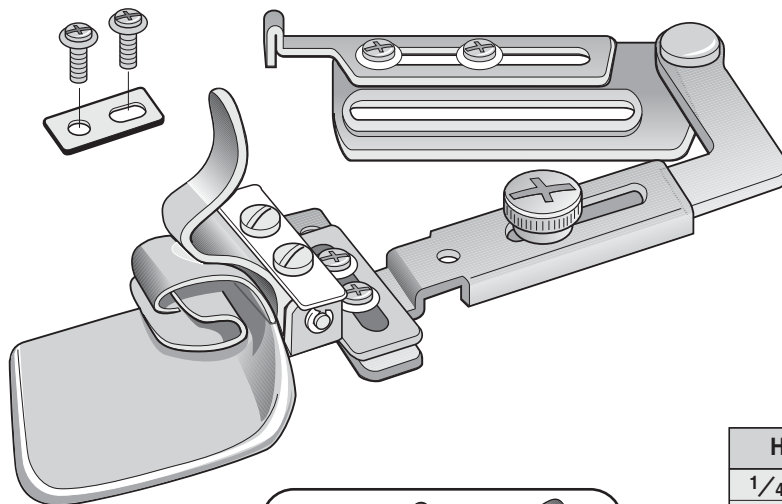
Hem Sizes	
3 mm	1/8"
4 "	5/32"
5 "	3/16"
6 "	1/4"
7 "	9/32"
8 "	5/16"

It is very difficult to hem with hemmer foot.
This hemmer set is designed to resolve the difficulty and enables operators as even beginners to be skillful hemming.

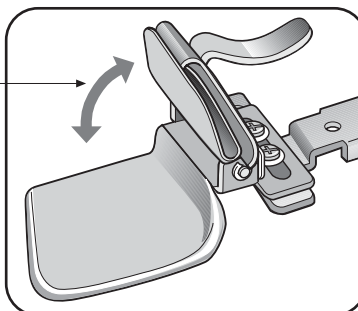
A78S- 1/4~1" Latch Hemmer



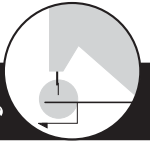
- For medium or heavy materials.



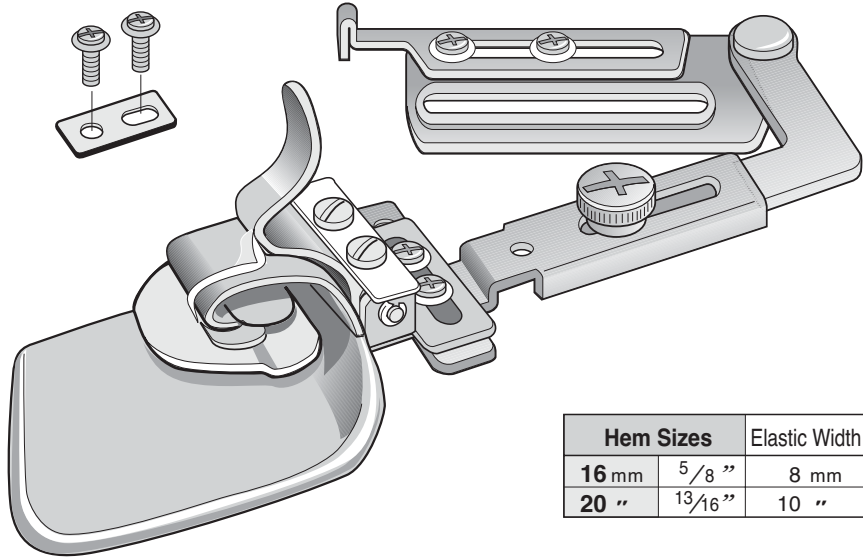
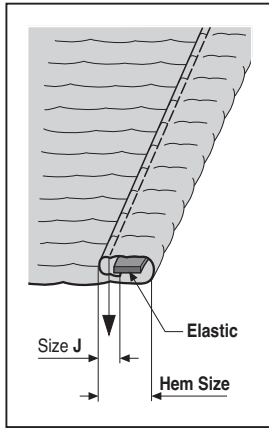
Snap up the folder by pressing on handle when hemming circular garments or heavy cross seams.



Hem Sizes		Sizes J
1/4"	6.4 mm	4 mm
5/16"	8.0 "	4 "
3/8"	9.5 "	5 "
1/2"	12.7 "	6 "
5/8"	15.9 "	7 "
3/4"	19.0 "	8 "
1"	25.4 "	9 "

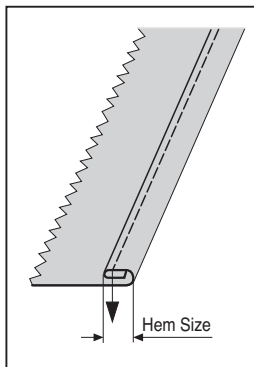


A43L- 16, 20 Latch Elastic Hemmer

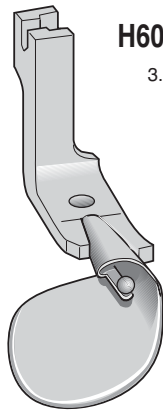


Hem Sizes	Elastic Width	Sizes J
16 mm	5/8"	8 mm
20 "	13/16"	10 "
		7 mm
		8 "

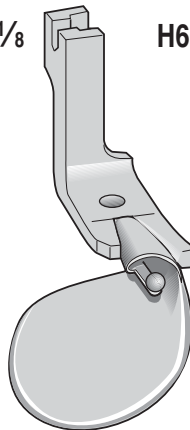
H6010- 1/16~1/4 Ball Hemmer Feet



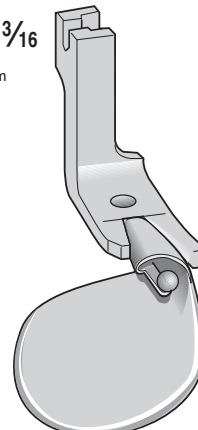
H6010-1/16
1.6mm



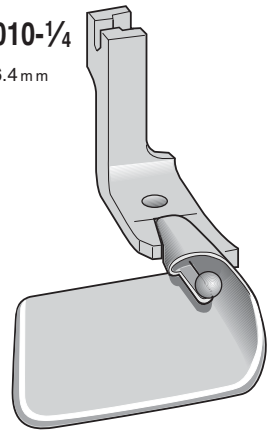
H6010-1/8
3.2mm



H6010-3/16
4.8mm

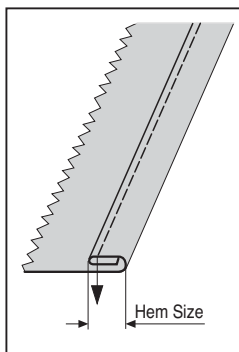


H6010-1/4
6.4mm

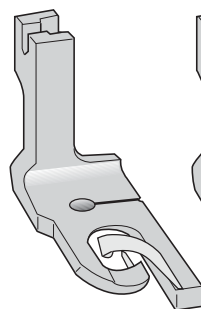


• For straight edge on light materials.

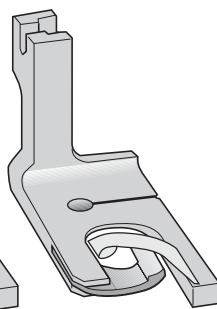
SH80, 095 Hemmer Feet



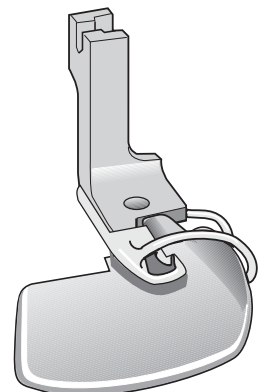
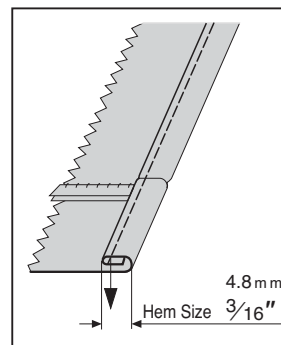
SH80
8.0mm



095
11.0mm



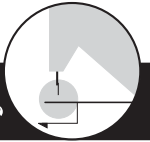
H5018- 3/16 Spring Wire Hemmer Foot



• For straight edge and spring allows even cross seams to pass through freely.

SINGLE TURN FELLERS ニツ巻ラッパ

Attachments

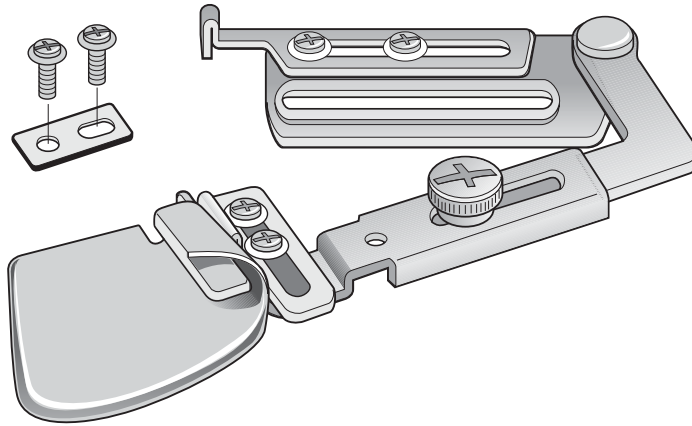
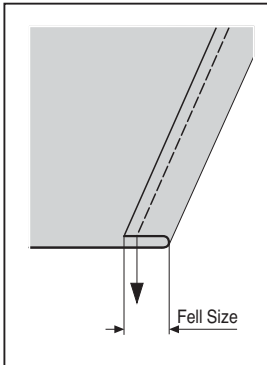


RABATTEURS
DOBLADILLADORES

KAPPNAHTAPPARATE
单折褶缝器

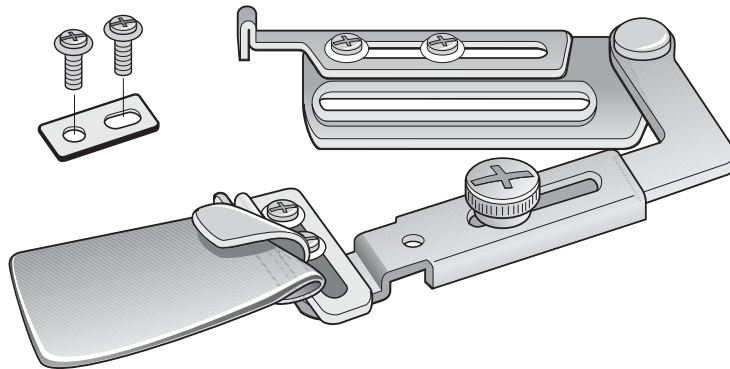
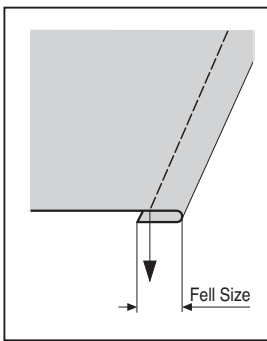
SUISEI®

A7SU- 5~25 Single Upturn Feller



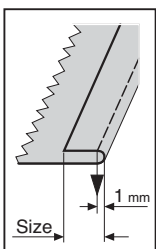
Fell Sizes		
5 mm	3/16"	
6 "	1/4 "	
8 "	5/16 "	
10 "	3/8 "	
13 "	1/2 "	
15 "	9/16 "	(5/8")
20 "	13/16 "	(3/4")
25 "	1 "	

A7SD- 5~25 Single Downturn Feller

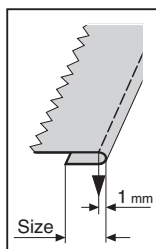
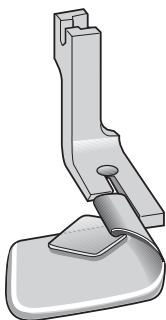


Fell Sizes		
5 mm	3/16"	
6 "	1/4 "	
8 "	5/16 "	
10 "	3/8 "	
13 "	1/2 "	
15 "	9/16 "	(5/8")
20 "	13/16 "	(3/4")
25 "	1 "	

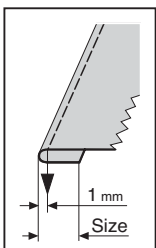
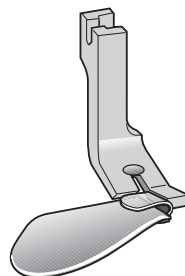
H5017, H5019, H5019R, H5020 Top Stitch Feller Feet



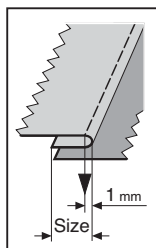
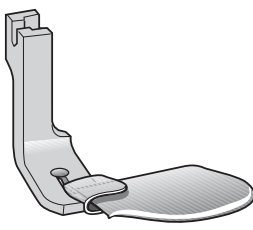
H5017 Upturn



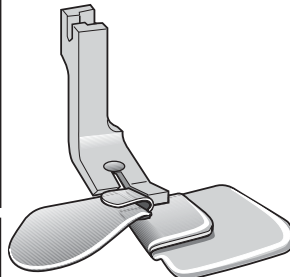
H5019 Downturn



H5019R Reverse Downturn



H5020 Joining



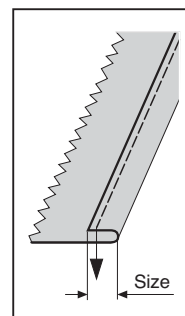
3/16"	4.8mm
1/4 "	6.4 "

3/16"	4.8mm
1/4 "	6.4 "

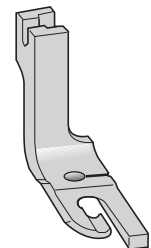
3/16"	4.8mm
1/4 "	6.4 "

3/16"	4.8mm
1/4 "	6.4 "

SHP30, SHP65, P75, P9 Feller Feet



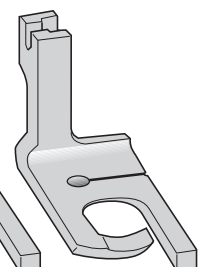
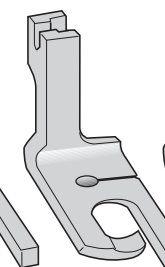
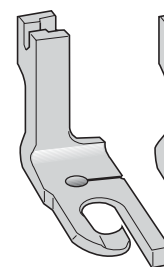
SHP30
3.0mm



SHP65
6.5mm

P75
8.0mm

P9
9.5mm



COMPACT SIMPLE FOLDERS コンパクト型シンプルラッパ

LES DOSSIERS SIMPLES COMPACTS
COMPRIMA CARPETAS SENCILLAS

KOMPAKTE EINFACHE ORDNER
小型简单卷边器・褶缝器

Attachments

SUISEI[®]



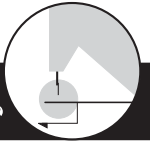
CORD ATTACHMENT コードアタッチメント

GUIDES POUR GALON
ADITAMENTOS PARA VIVOS

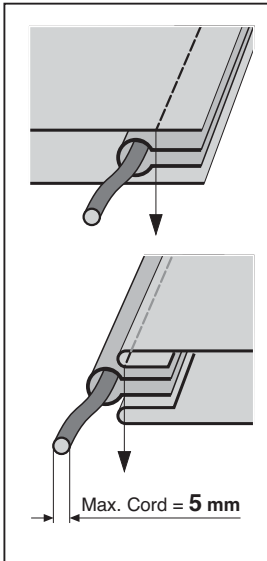
KANTENLINEALE
线绳附件

Attachments

SUISEI®

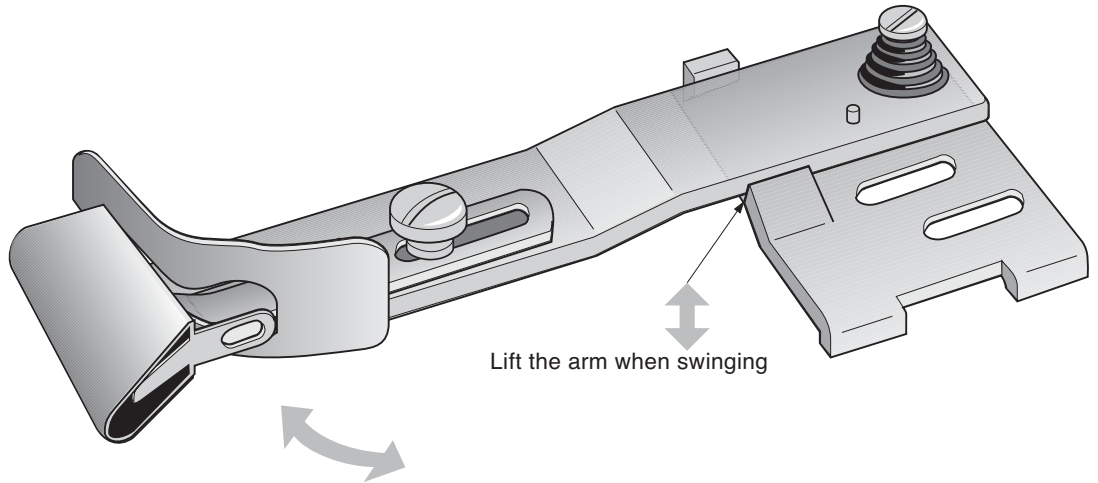


A46NP- 26, 28, 30 Cord Edge Piping Attachment for Heavy Materials (for 111W)



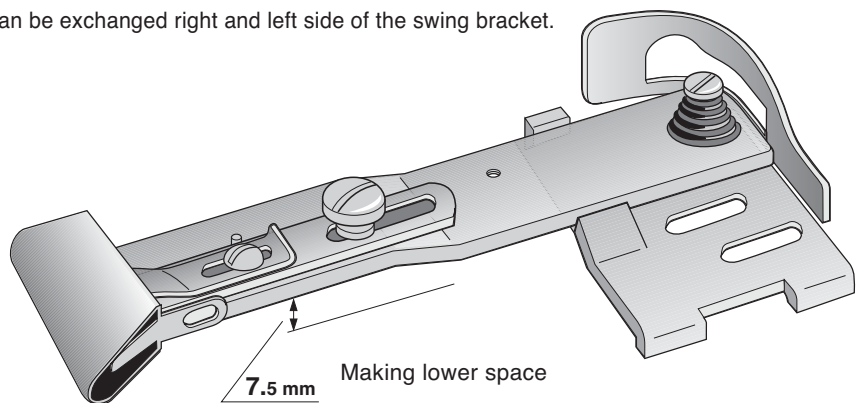
- For automobile seat, covers, upholstery, luggage, etc.

Tape Sizes	
26 mm	1 "
28 "	1-1/8 "
30 "	1-3/16 "



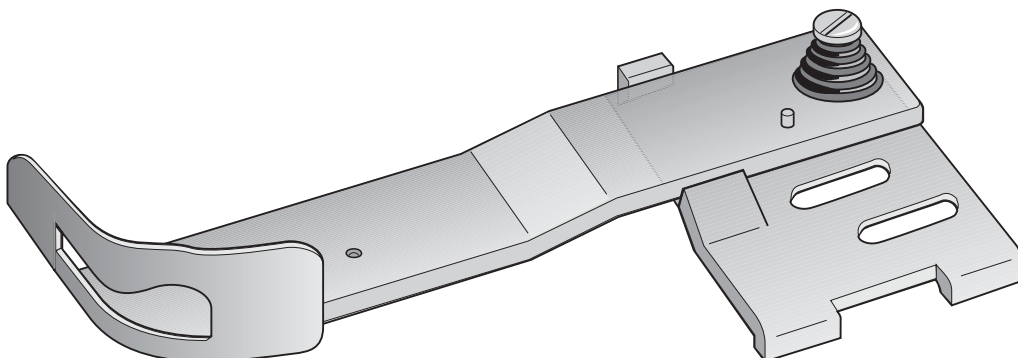
For Use On Extra Heavy Materials

Can be exchanged right and left side of the swing bracket.



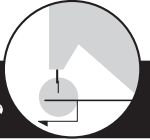
A46NPB Swing Bracket Complete for "A46NP"

Appropriate for special order attachment for automobile seats, cover upholstery or luggage.



FOLDERS FOR TWO NEEDLE MACHINE 2本針ミシン用フォルダー

Attachments

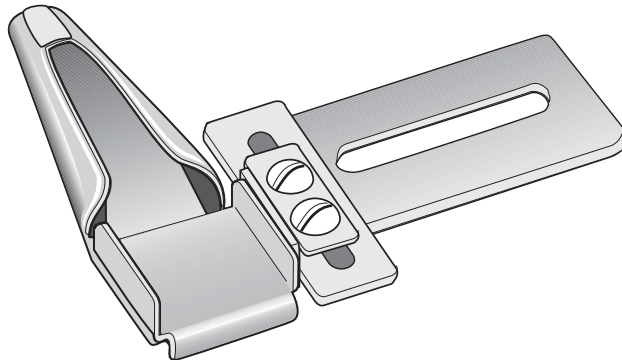
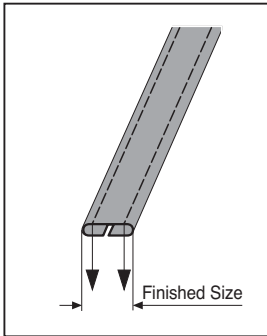


BORDEURS POUR MACHINES NOUÉ DOUBLE AIGUILLES
RIBETADORES PARA MÁQUINAS DE DOS AGUJAS

BANDEINFASSER FÜR ZWEINADEL-NÄHMASCHINEN
双针缝纫机用褶边器

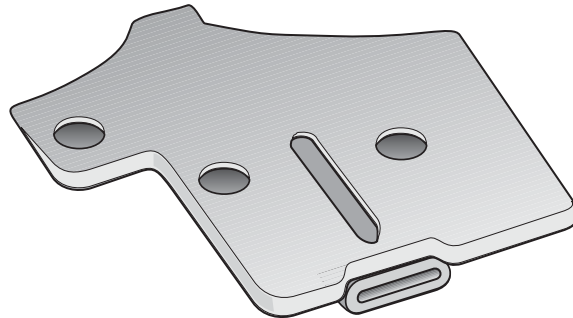
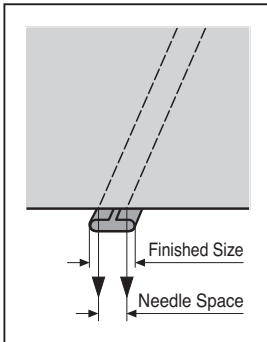
SUISEI®

A36- 6~20 Belt Loop Folder



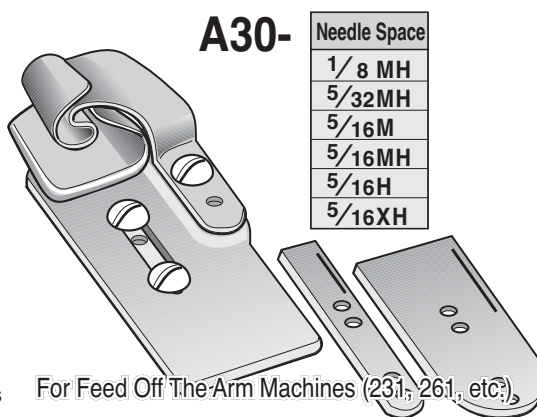
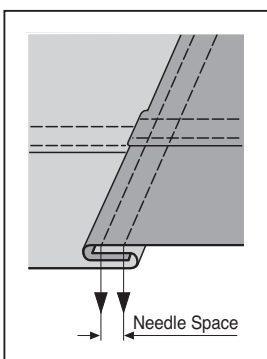
Tape Sizes		Finished Sizes	
12 mm	15/32"	6 mm	1/4 "
14 "	9/16"	7 "	9/32"
16 "	5/8 "	8 "	5/16"
18 "	23/32"	9 "	11/32"
20 "	25/32"	10 "	13/32"
22 "	7/8 "	11 "	7/16"
26 "	1-1/32"	13 "	1/2 "
30 "	1-3/16"	15 "	19/32"
36 "	1-13/32"	18 "	23/32"
40 "	1-9/16"	20 "	25/32"

A41- 1/8~3/8 Stripper With Cover Plate (For Two Needle Machine)



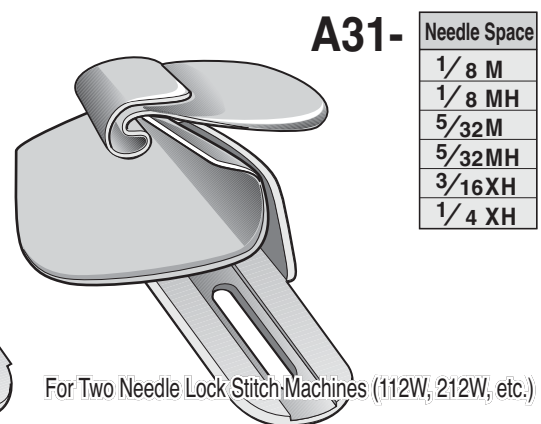
Needle Space	Bias Tape Sizes	Finished Sizes	
1/8 "	3.2 mm	15 mm	7 mm
3/16 "	4.8 "	18 "	8.5 "
1/4 "	6.4 "	20 "	10 "
5/16 "	8.0 "	22 "	11 "
3/8 "	9.5 "	24 "	12 "

A30- ..., A31- ..., A34- ... Spring Type Lap Seam Folders



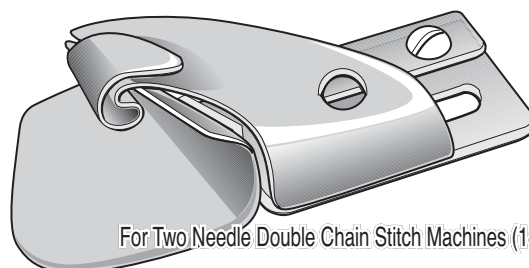
Needle Space
1/8 MH
5/32MH
5/16M
5/16MH
5/16H
5/16XH

For Feed Off The-Arm Machines (231, 261, etc.)



Needle Space
1/8 M
1/8 MH
5/32M
5/32MH
3/16XH
1/4 XH

For Two Needle Lock Stitch Machines (112W, 212W, etc.)



Needle Space
1/8 M
1/8 MH
5/32MH
5/32H
3/16MH
1/4 XH

For Two Needle Double Chain Stitch Machines (147, 253, etc.)

- Spring allows cross seams to pass through freely.
- Alphabets after number of needle space indicate the thickness for applicable materials ;

➔ M ; Medium
MH ; Medium Heavy
H ; Heavy
XH ; Extra Heavy

GAUGES, ACCESSORIES SEWING DEVICES

GAUGES

G1, G3, G4, G7E, G30, SA, 12411, 12457



MAGNET GAUGE ACCESSORIES

G20Z, AP11E, AP18E

ACCESSORIES
アクセサリ

BINDING & TAPE REEL STANDS

AP50E-S, -N, -W, -AW



COLLAR TURNERS, SEWING DEVICE THE PARTS FOR SP90 CLOTH PULLER

AM7-A, AM7-B, AM2Z, Parts for SP90



GAUGES

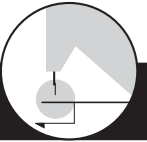
定規

GUIDES
GUIAS

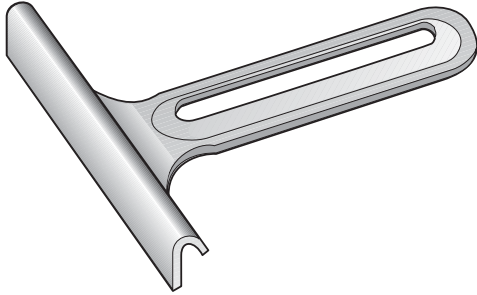
ABSTANDSLINEALE
規尺

Attachments

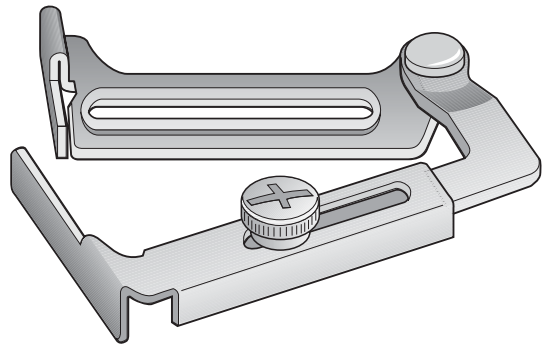
SUISEI®



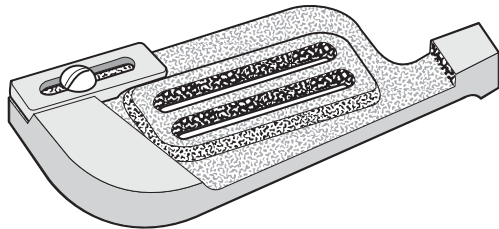
G1 T Gauge



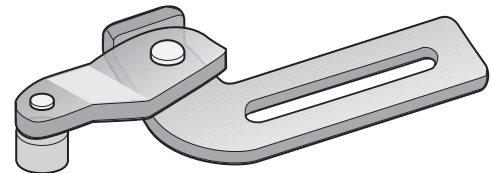
G7E Swing Gauge



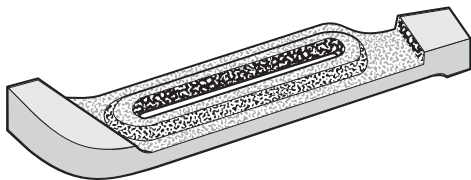
G3 Shirts Gauge



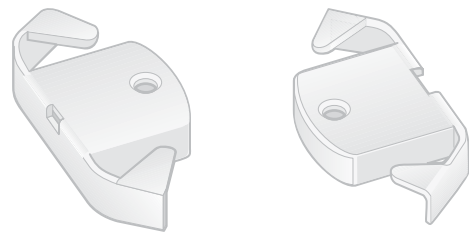
G30 Swing Roller Gauge



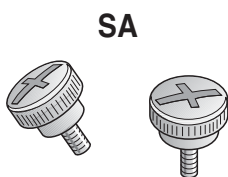
G4 Shirts Gauge



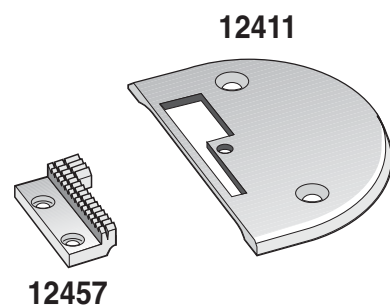
G20Z Magnetic Gauge

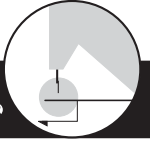


SA Screw (9/64-L8) for Attachments



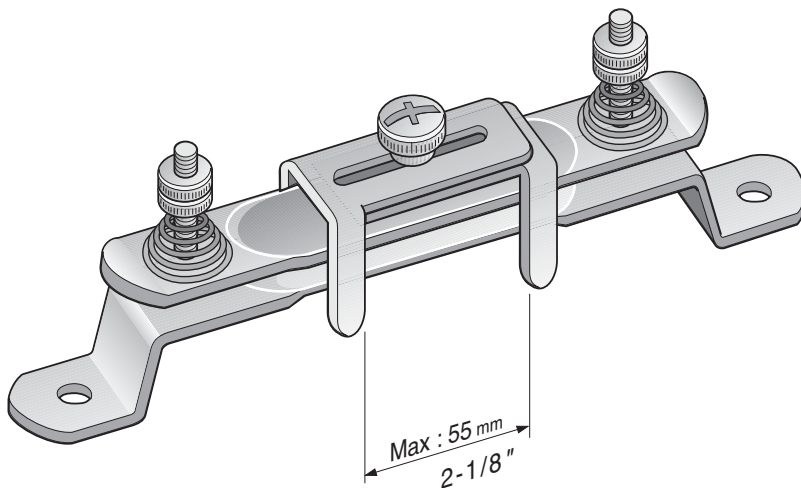
12411, 12457 Needle Plate and Feed Dog for Folders



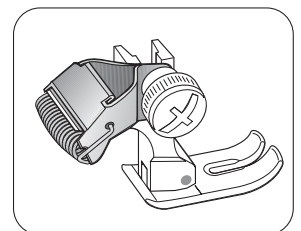
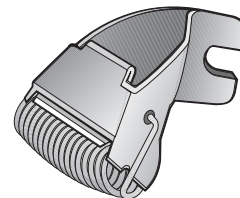


G20Z Magnet Gauge & Simple Folders

AP11E Table Type Elastic Tension Bracket



AP18E Grip Snip Thread Cutter



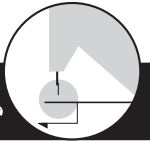
BINDING & TAPE REEL STANDS テープリールスタンド

DEROULEURS DE BANDE
ESTANTES PARA RIBETES CON SUJETADOR DE MESA

BANDROLLENHALTER
帶巻架

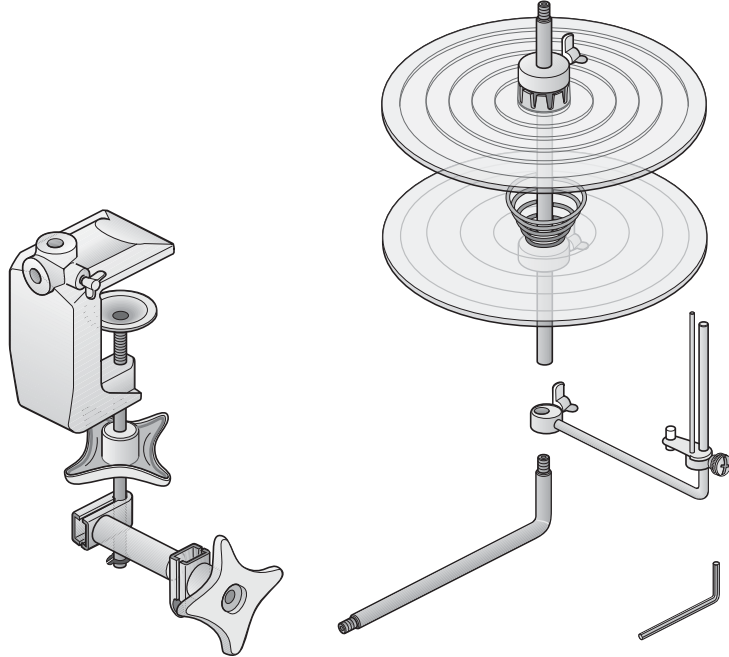
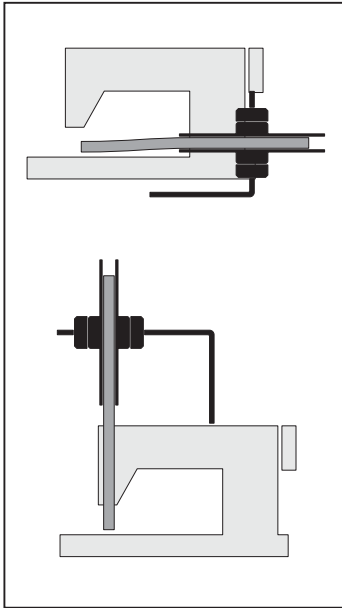
Attachments

SUISEI®

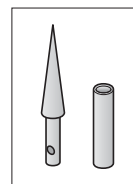
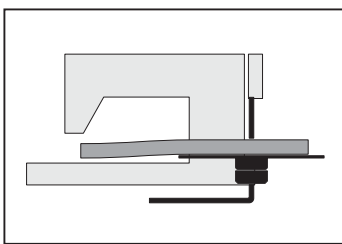


- Can be set any position for any angle on any table.
- Smooth rotation solves uneven feeding of tape in binding.
- Semitransparent plates show an amount of remaining tape.

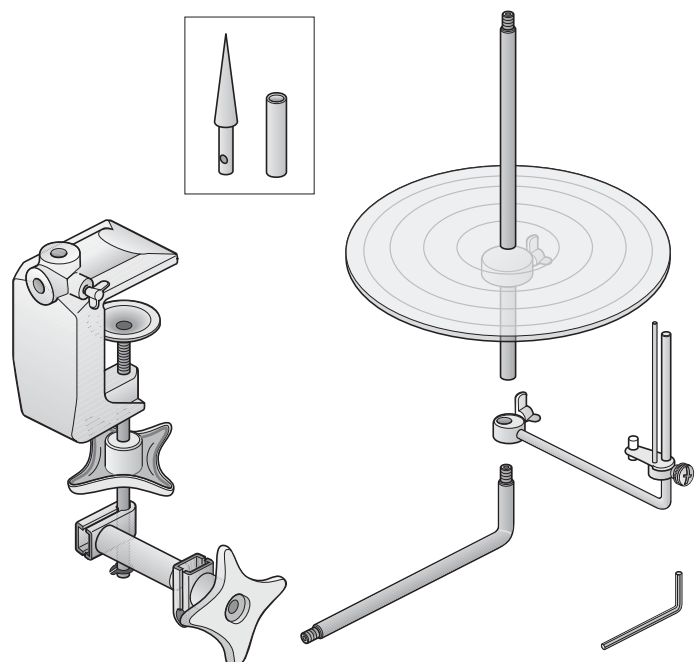
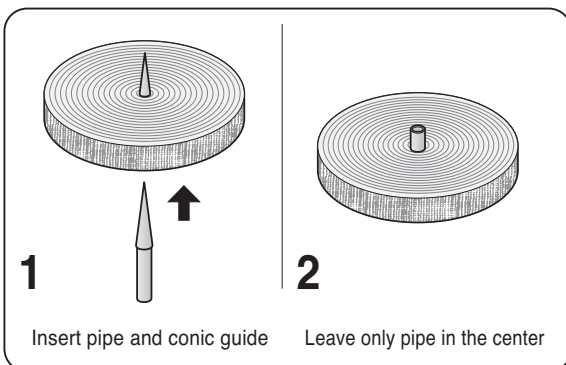
AP50E-S Binding & Tape Reel Stand <Single Type>



AP50E-N Binding & Tape Reel Stand <Knit Tape Type>



How to set the center pipe into centerless rolled tape



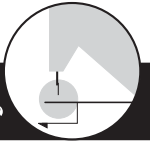
BINDING & TAPE REEL STANDS テープリールスタンド

DEROULEURS DE BANDE
ESTANTES PARA RIBETES CON SUJETADOR DE MESA

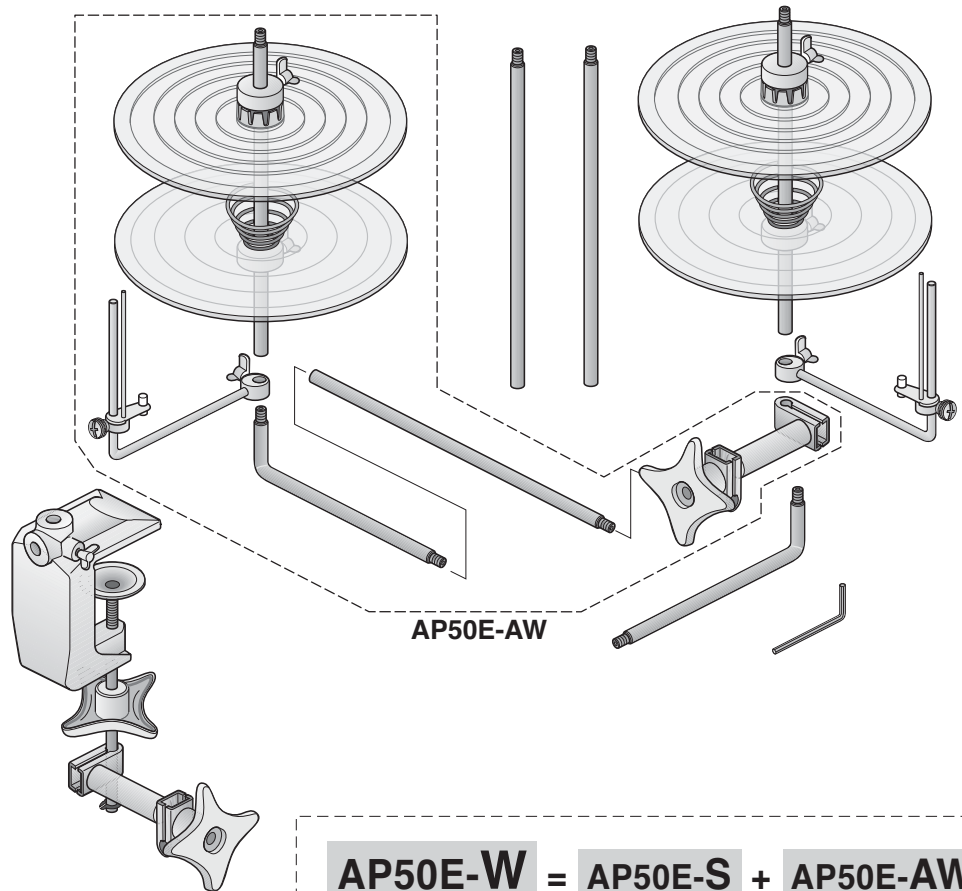
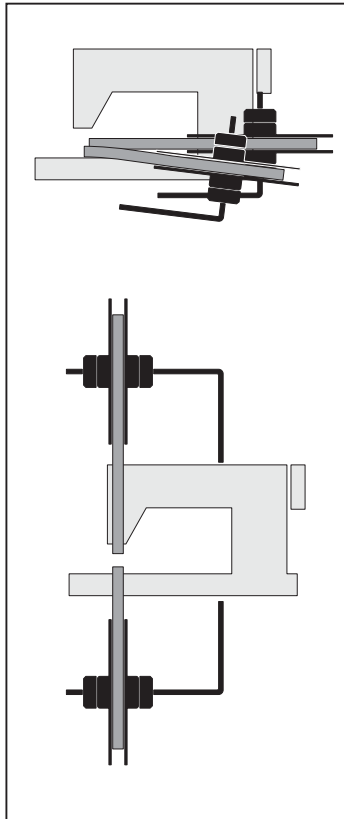
BANDROLLENHALTER
帯巻架

Attachments

SUISEI®

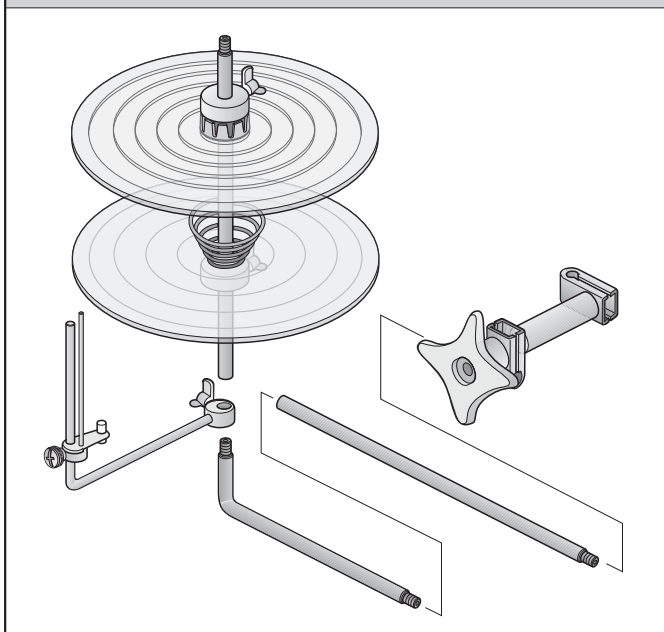


AP50E-W Binding & Tape Reel Stand <Double Type>



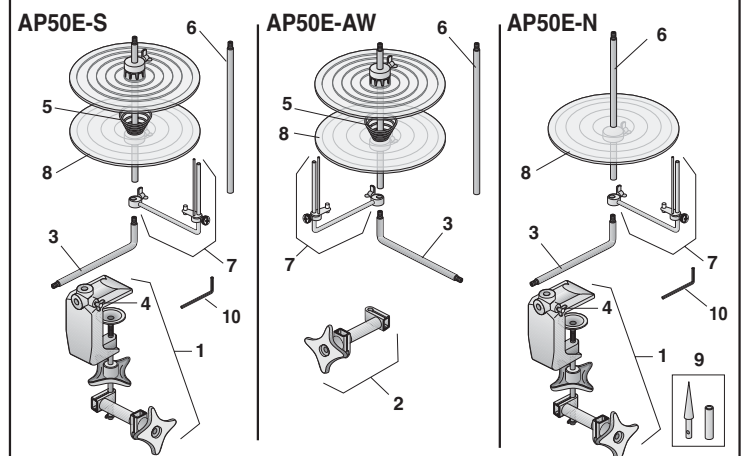
AP50E-W = AP50E-S + AP50E-AW

AP50E-AW < Extra Set for W-Type >



If wished, only parts are available as right ; →

Components for AP50E



Ref.	Parts No.	Descriptions	Quantity		
			S	AW	N
1	AP50E-1243E	Vice and joint asm.	1	-	1
2	" 43E	Joint complete	-	1	-
3	" 5E	L rod	1	1	1
4	" 7	Wing screw	(4)	(3)	(3)
5	" 8	Taper spring	1	1	-
6	" 17	Connecting rod	2	2	1
7	" 20	Bias tape guide complete	1	1	1
8	" 23	Plastic plate	2	2	1
9	" 1112	Center pipe & conic guide	-	-	1
10	KTL40	L-wrench (4.0mm)	1	-	1

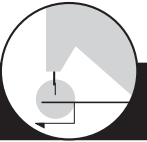
COLLAR TURNERS 衿先出し返し機

APPAREIL A RETOURNER LES COLS
VOLTEADOR

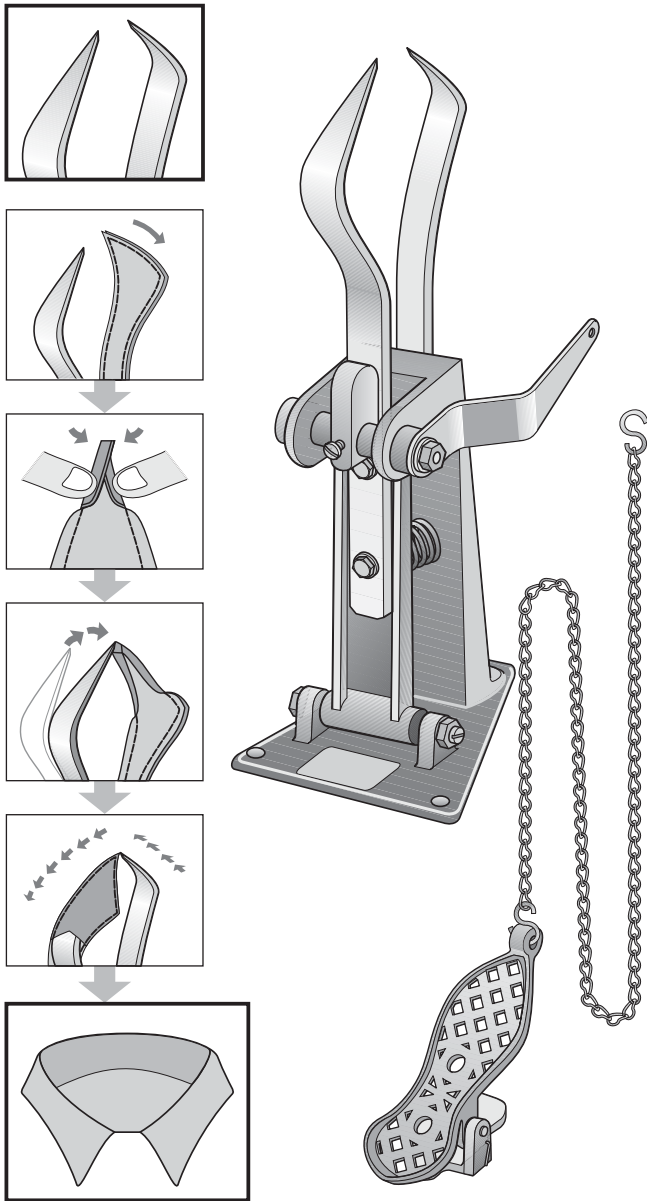
KRANGENWENDER
翻领尖器

Attachments

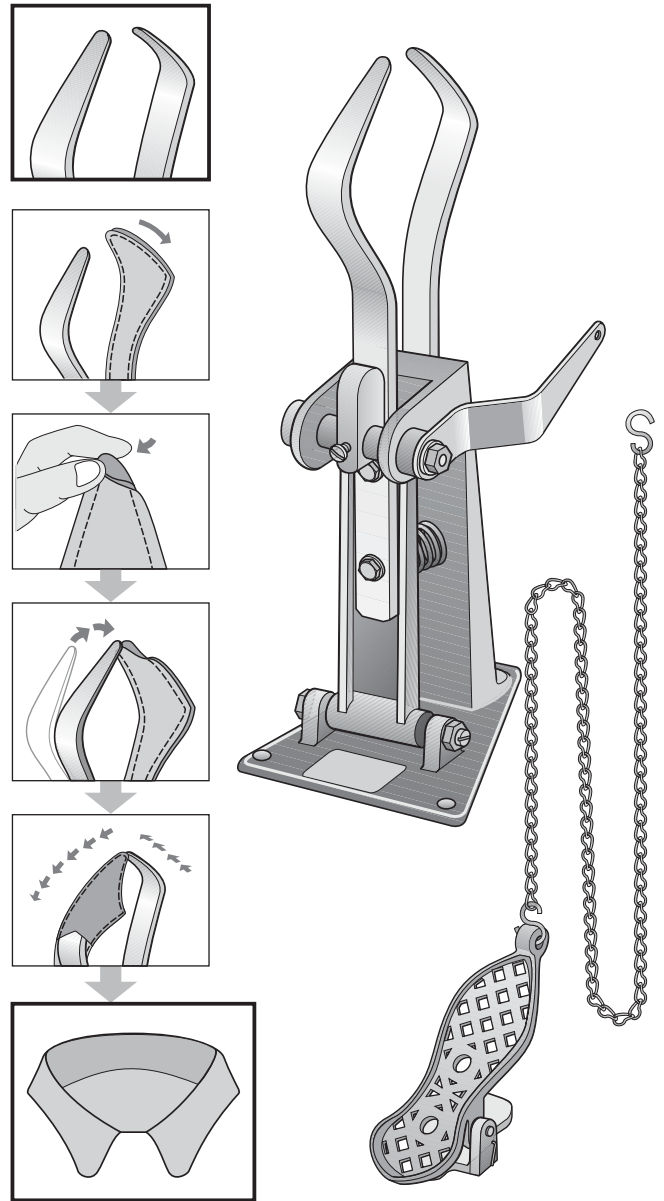
SUISEI®



AM7-A Collar Turner "A" type

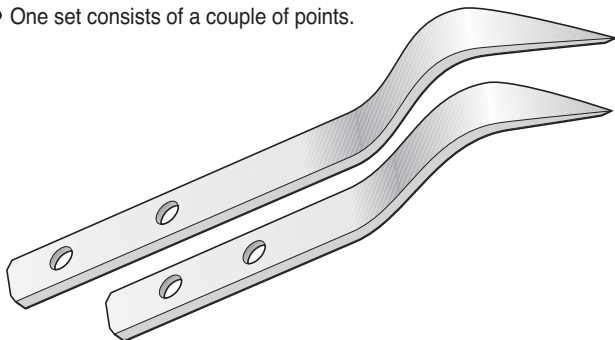


AM7-B Collar Turner "B" type



AM7P-A Spare Collar Points "A" type

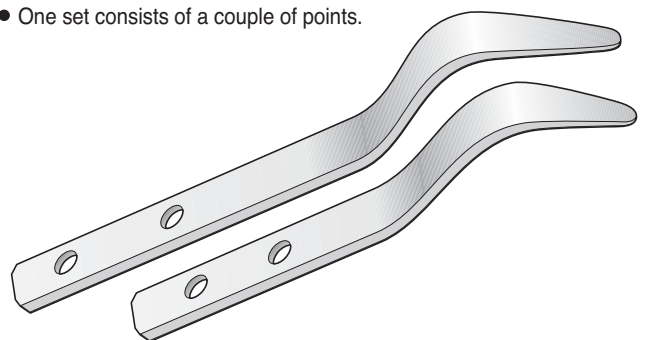
- One set consists of a couple of points.



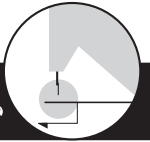
Replaceable for both AM7-A and AM7-B.

AM7P-B Spare Collar Points "B" type

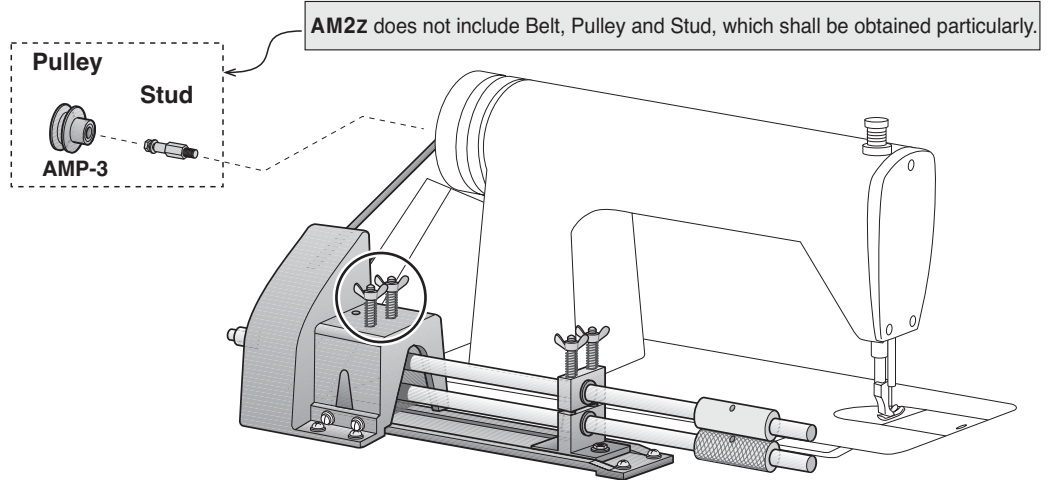
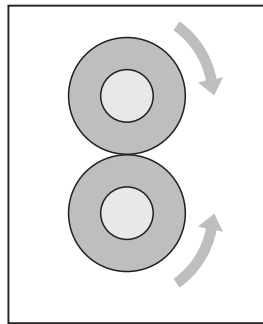
- One set consists of a couple of points.



Replaceable for both AM7-A and AM7-B.



AM2Z Regular Cloth Puller



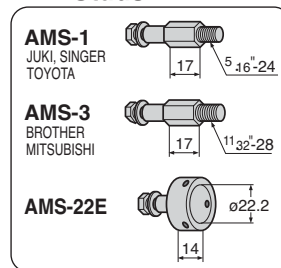
● If interlocking of the gears is wrong for reasons of abrasion of gears, shafts or nylon bushes, please tighten and adjust both butterfly nuts at input side.

Components for AM2Z

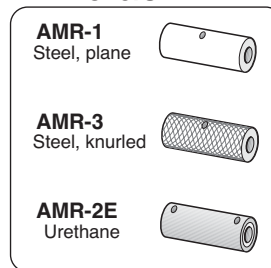
Parts List

Parts No.	Q'ty	Description
AM2P-1	1	"V" Pulley
-2	1	Clutch Wheel with Gear
-3	1	Large Gear
-4	2	Medium Gear
-5	2s	Upper and Lower Bracket Complete
-6	4+4	Tension Spring
-7	1	Upper Shaft
-8	1	Lower Shaft
-9	1	Clutch Spring
-10	1s	Clutch Spring Complete
-11	2+2	Nylon Bushing
-12	1	Mount Base
-13E	1	Gear Cover
-15	2	Collar
-17	2,2,2	Screws, washers and spacers set

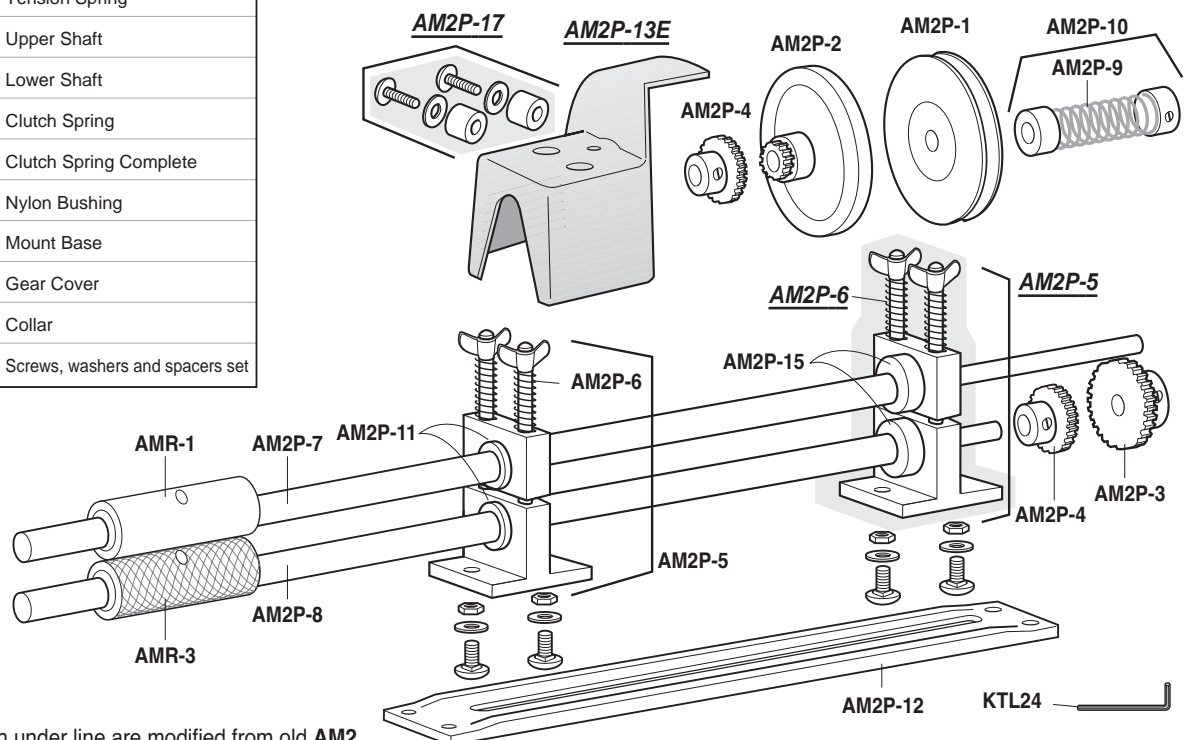
Studs



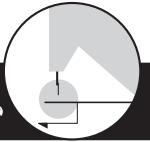
Rollers



Studs and Rollers are available at extra cost.



● Parts numbers with under line are modified from old AM2.

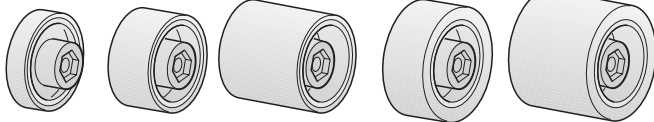


Rollers for SP90

All rubber rollers are made of urethaneform and aluminium.

• For SP90-RF, TR << For Single Yoke Holder >>

R-SH5110 R-SH5125 R-SH5148 R-SH6025 R-SH6048



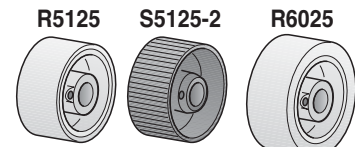
Dia. 51 mm Wid. 10 mm Dia. 51 mm Wid. 25 mm Dia. 51 mm Wid. 48 mm
Dia. 60 mm Wid. 25 mm Dia. 60 mm Wid. 48 mm

URP-3570
Under Roller Plate



Teflon coated

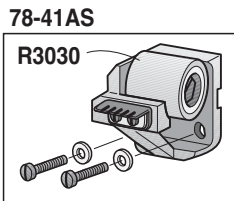
• For SP90-F, BL



Dia. 51 mm Wid. 25 mm Dia. 51 mm Wid. 25 mm Pitch 2 mm Mat. Steel
Dia. 60 mm Wid. 25 mm Except BL

• For SP90-F

Rubber Roller Lower (Box)



• For SP90-BL

Rubber Roller Lower

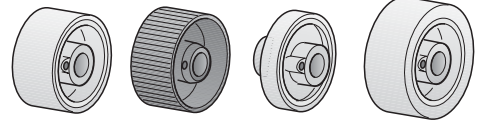


Dia. 34 mm Wid. 50 mm

Rollers for SP78Z

• For SP78Z-RF, TR, F

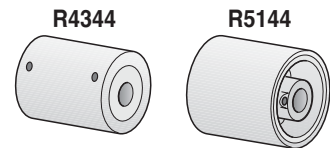
R5125 S5125-2 R5125-C10 R6025



Dia. 51 mm Wid. 25 mm Dia. 51 mm Wid. 25 mm Pitch 2 mm Mat. Steel
Dia. 51 mm Wid. 25 mm Center 10 mm
Dia. 60 mm Wid. 25 mm

• For SP78Z-RF, TR, F

Rubber Roller for 44mm Wid. Holder

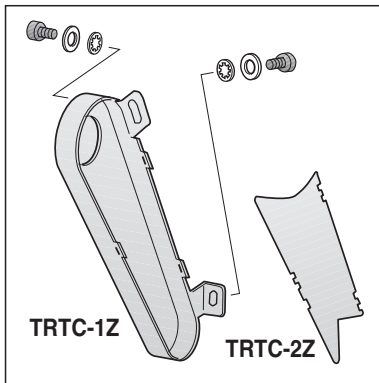


Dia. 43 mm Wid. 44 mm Dia. 51 mm Wid. 44 mm

Relay Belt, Roller Holders and Roller Shafts for TR type

• For SP90-TR, SP78Z-TR

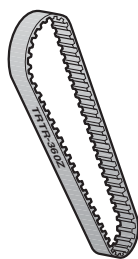
TRTC-12-AS



TRTB-21UZ



TRTB-360Z

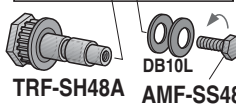
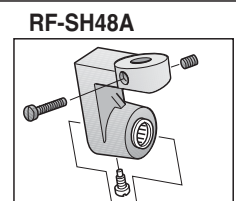


• For SP90-TR

TR44A



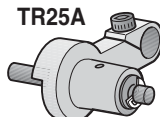
TR-SH48-AS



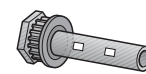
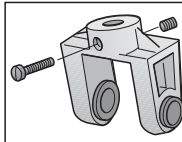
TRF-SH48A DB10L AMF-SS48

• For SP78Z-TR

For 25mm Width
25mm 幅用

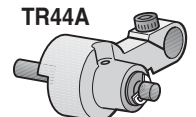


RF-H25

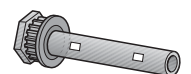
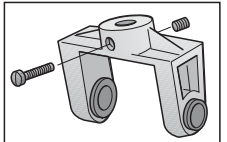


TRF-25Z

For 44mm Width
44mm 幅用



RF-H44

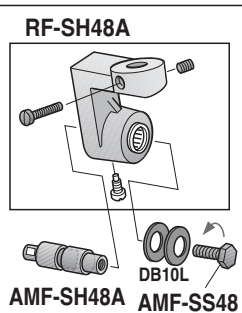


TRF-44Z

Roller Holders and Roller Shafts for RF, F type

• For SP90-RF

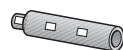
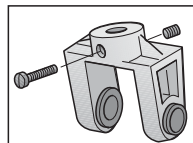
RF-SH48-AS



• For SP90-F or SP78Z-RF, F

For 25mm Width

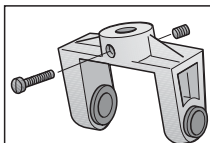
RF-H25



AMF-25

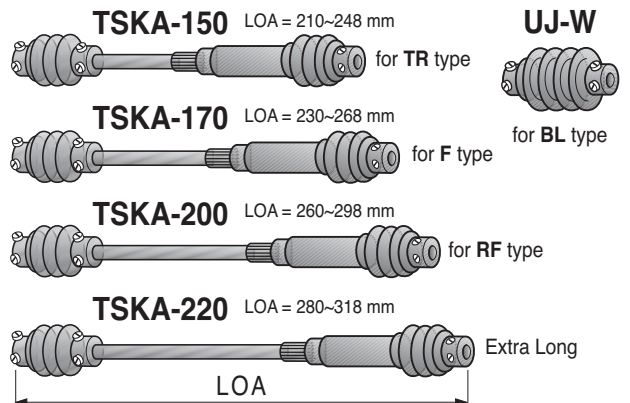
For 44mm Width

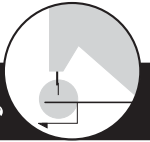
RF-H44



AMF-44

Universal Joint Complete





AMS-... Studs, Regular Type

AMS-1

SINGER	281, 291, 261, 331K, 491
JUKI	DDL-, DLN-, LH-class, LUH
BROTHER	B763, B845-400
MITSUBISHI	DB-, DV-, DY-, DN-class
SEIKO	LD-28, 38
TOYOTA	D146, 348, 530, AD-156, 740
	L2512, 252, AL-252
CONSEW	230, 240, 275, 310, 325, 345

AMS-3

BROTHER	714, 745, 755, 757, 781, 790
	792, 831, 832, 835, 841, 842
	845, 871, 872, 875, 962
MITSUBISHI	DB-120, 130, 320, DX-370
	DY-330, 337, DM-420
	LT2-220, 240

AMS-6

PEGASUS	W63
NEW LONG	DN-2

AMS-8

SEIKO	STW-class, LSW-class
	LTW-class
CONSEW	226R, 255R, 327RB, 332R

AMS-22E

SINGER	457G, 491G, 591, 212U
JUKI	LZ-1280, 1286
DÜRKOPP	All models
PFAFF	100-class, 1000-class
LEWIS	150-class
TREASURE	BS-100
YAMATO	DP-1000, DS, DV, DW-class

AMS-22L

PFAFF	400-class, 5000-class
--------------	-----------------------

AMS-... Studs, For Automatic Thread Trimmer

AMS-3-12

MITSUBISHI	DB-189, 199
	DY-339, 349
	DN-275-A

AMS-M190

MITSUBISHI	LS2-190
	LT2-230, 250

AMS-3-23

BROTHER	B737 series
	B738 series

AMS-1-38

JUKI	DDL-555-2
	DLU-450-4
	DLU-490-4
	DMN-530-4
	MH-484-4

AMS-W Cap Screw for AMS-1, AMS-3

AMS-WE Cap Screw for AMS-22E, AMS-22L

Exchange a cap screw **AMS-W** or **AMS-WE** for a hexagon headed bolt of the studs, when adapting synchronizer of thread trimming machine.

AMS-... Studs, For Feed Off The Arm Machine

AMS-F

SINGER	231
JUKI	MS-19, 26
	MS-191, 261

AMS-S261

SINGER	261
---------------	-----

AMS-1

TOYOTA	L2512
CONSEW	345

AMS-WF Cap Screw for AMS-F, AMS-S261

AMS-... Studs, For Automatic Thread Trimmer (Component type)

AMS-B715

BROTHER	B715, B716, B747	B791-300	B793-300	B795-300
	B768-300	B832-400	B835-400	B837-300

AMS-J50

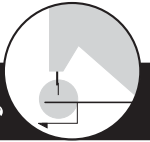
JUKI	DDL-555-4	(PANASONIC)
	DDL-550	(PANASONIC)

AMS-J11

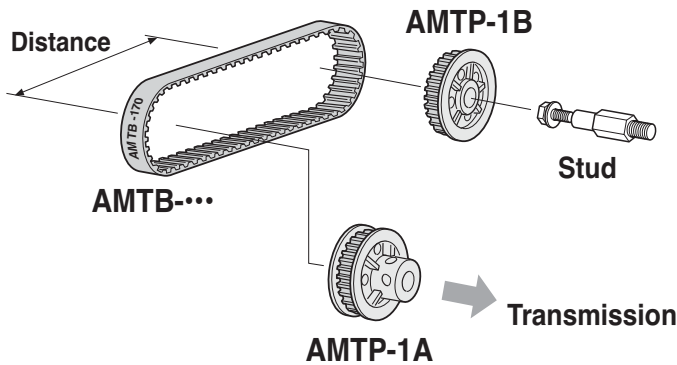
JUKI	LH-1152	LH-1162
	LH-1172	LH-1182

AMS-T15

TOYOTA	AD-157
CONSEW	290



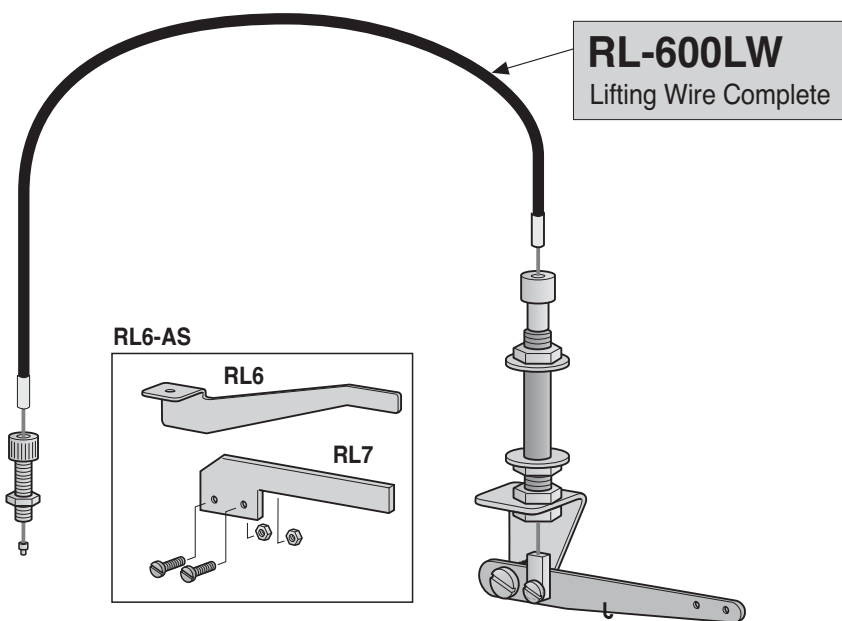
AMTP-1A, AMTP-1B, AMTB-... Timing Pulleys and Timing Belts



Parts Number	Distance		Teeth	Circumference	
	mm	''		mm	''
AMTB -160	137	5.4	80	406	16
-170	150	5.9	85	432	17
-176	157	6.2	88	447	17.6
-180	163	6.4	90	457	18
-190	175	6.9	95	483	19
-200	188	7.4	100	508	20
-210	201	7.9	105	533	21
-220	213	8.4	110	559	22
-230	226	8.9	115	584	23
-240	239	9.4	120	610	24
-250	251	9.9	125	635	25
-260	264	10.4	130	660	26
-270	277	10.9	135	686	27
-280	290	11.4	140	711	28
-300	315	12.4	150	762	30
-360	391	15.4	180	914	36

- Keep appropriate tension on Timing Belt.
 Too tight cause breakage of the shaft and too loose may cause jumping or slipping from the timing pulley.

RL-600 Roller Lifter Asm.

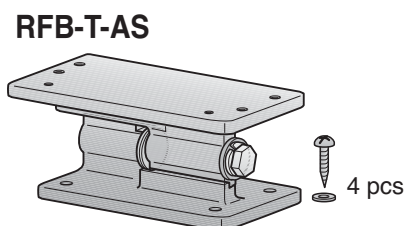


KA7801 Automatic Transmission Fluid

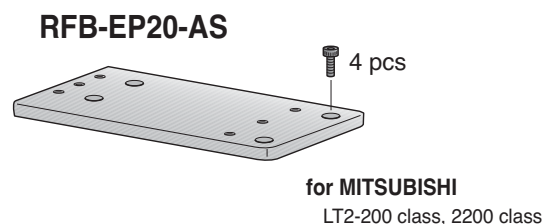


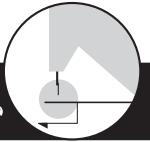
- For the transmission of **SP90** or **SP78Z**.

RFB-T-AS Mount Base Asm. Table Install Type



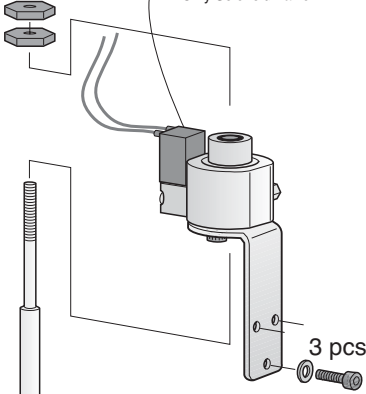
RFB-EP20-AS Extension Plate for RFB-E





K78CL-01SAD24 Pneumatic Roller Lifter Asm.

NM6106S19
 K78CL-SVD24
 Only Solenoid Valve

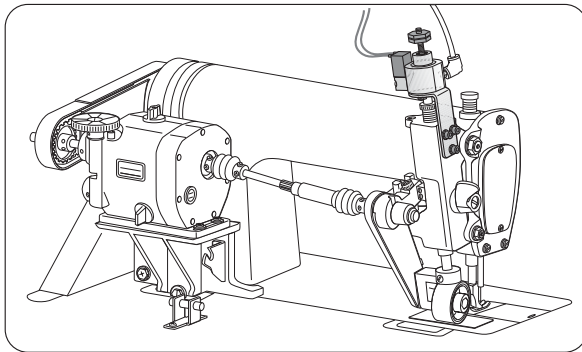


Specifications

Cylinder Stroke	8mm (5/16")
Air Operating Pressure	3.5~6.0 kg /cm²
Air Connect Size	M5 x 0.8
Lubrication	Oilless
Voltage (Constant Rate)	DC24V
Optional Voltage	AC100V

K78CL-01SA100

RS280



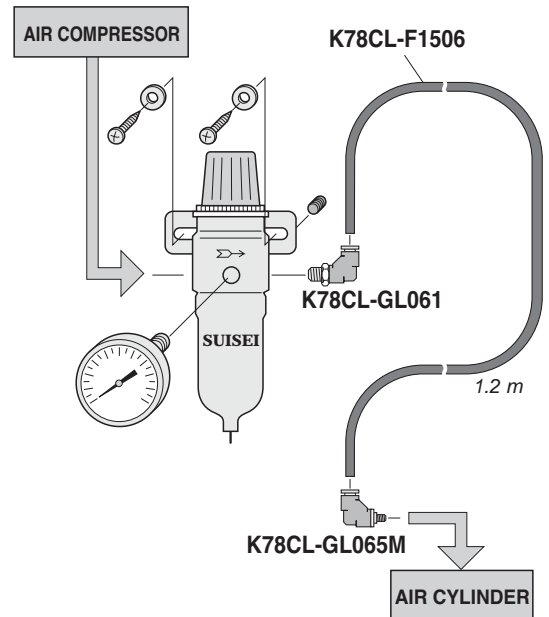
- Always purified air must be delivered to the air cylinder through an air filter so as to avoid a trouble on the solenoid valve.

K78CL-D24 Pneumatic Lifter & Filter Set

K78CL-01SAD24 + K78CL-AIRA

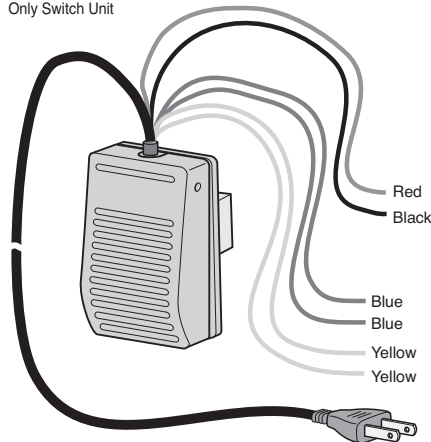
- Set pneumatic roller lifter (DC24V) and air filter unit complete.

K78CL-AIRA Air Filter Unit Complete



K90KL-SZ Knee Switch Built In Relay Asm.

K90KL-SW
 Only Switch Unit



K90KL-AMP Splicing Connector



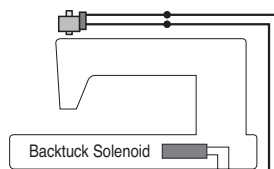
2 pcs

K90KL-CE2 Insulated Cap Connector

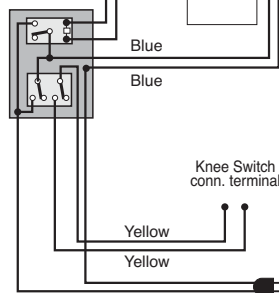


4 pcs

K78CL01-SA

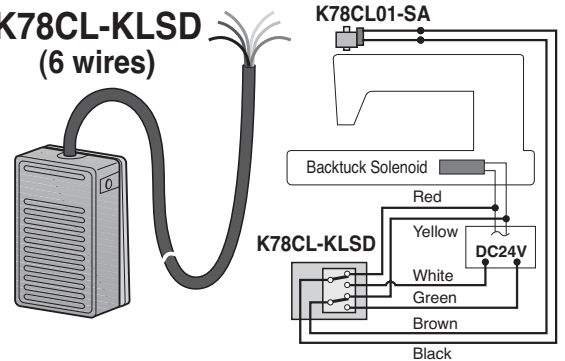


K90KL-SW

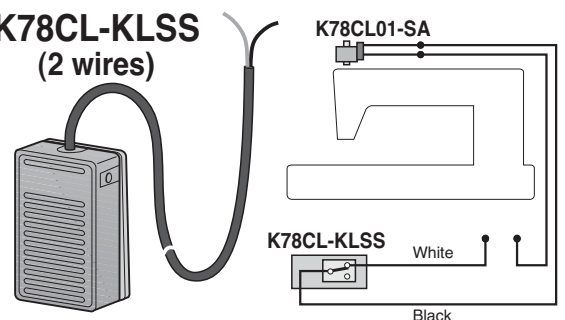


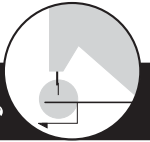
K78CL-KLS_D Knee Switches

K78CL-KLSD
 (6 wires)



K78CL-KLSS
 (2 wires)





RF-SB-AS, RF-LBE-AS, RF-GBE-AS Standard Face Plates for SP90-RF, TR (SP78Z-RF, TR)

<p>90-3012AJ</p> <p>78-31AJ</p> <p>78-32AJ</p>	<p>90-3012A</p> <p>78-31A</p> <p>78-32A</p>	<p>RF-SB-AS for RF-S, TR-S</p> <p>RF-SB</p> <p>9647</p> <p>RF1</p> <p>98.3 mm</p> <p>(W451016) (116418)</p>	<p>RF-LBE-AS for RF-L, TR-L</p> <p>RF-LBE</p> <p>9647</p> <p>RF1</p> <p>(W451016) (116418)</p>	<p>RF-GBE-AS for RF-G, TR-G</p> <p>RF-GBE</p> <p>DT-6</p> <p>W621616</p> <p>BM61025</p> <p>(SS116428)</p>
--	---	--	---	--

RG-G..... Face Plates for SP90-RF, TR (SP78Z-RF, TR)

<p>RF-GJ115-AS JUKI LH-1152</p> <p>AM843</p> <p>116418</p> <p>RF-GJ115C</p>	<p>RF-GJ541C JUKI DLN-5410</p>	<p>RF-GJ549C JUKI DLU-5490</p>	<p>RF-GJ555C JUKI DDL-5550</p>	<p>RF-GJ312C JUKI LH-3128, 3168</p>
<p>RF-GA467-AS ADLER 467, 367</p> <p>BM61015W</p> <p>DT-6</p> <p>RF-GA467S</p>	<p>RF-GB737C BROTHER B737, B738</p>	<p>RF-GB845-AS BROTHER B845</p> <p>W451016</p> <p>116412</p> <p>RF-GB845S</p>	<p>RF-FB925-AS BROTHER B925, B926</p> <p>96415</p> <p>For SP90-FBS</p>	<p>RF-FJ191-AS JUKI MS-191, 261</p> <p>116412</p> <p>For SP90-FJS</p>

• Please specify **model number** of sewing machine concerning your inquiry except above face plates.

INDEX 索引

Attachments



INDEX
INDICE

INDEX
索引

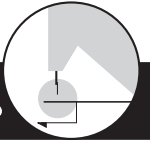
SUISEI®

Description	Page	Weight (gram)	Description	Page	Weight (gram)	Description	Page	Weight (gram)
0~9			A110S-T10	32	119	A30-5/16MH	38	80
095	34	33	A110S-T15	32	120	A30-5/16XH	38	80
116412	50	2.1	A110S-T20	5, 32	127	A30-5/32MH	38	80
116418	50	3.5	A110S-T25	5, 32	138	A31-1/4XH	38	45
12411	40	35	A110S-T8	32	117	A31-1/8M	38	45
12442	26	41	A11S-10	32	118	A31-1/8MH	38	45
12457	40	6	A11S-13	32	119	A31-3/16XH	38	45
20002	26	8	A11S-15	32	120	A31-5/32M	38	45
3352	9	4	A11S-18	32	121	A31-5/32MH	38	45
78-31A	50	93	A11S-20	32	127	A34-1/4XH	38	72
78-31AJ	50	65	A11S-25	32	138	A34-1/8M	38	72
78-32A	50	38	A11S-30	32	141	A34-1/8MH	38	72
78-32AJ	50	23	A11S-35	32	145	A34-3/16MH	38	72
78-41AS	46	120	A11S-40	32	180	A34-5/32H	38	72
90-3012A	50	137	A11S-45	32	211	A34-5/32MH	38	72
90-3012AJ	50	96	A11S-50	32	214	A36-10	38	66
96415	50	1.4	A11S-6	32	116	A36-11	38	66
9646N	9	8	A11S-8	32	117	A36-13	38	69
9647	50	0.7	A18	19, 31	39	A36-15	38	84
A			A18-P1	19	1	A36-18	38	102
A10C-16	27	114	A18-P2	19	0.3	A36-20	38	101
A10C-18	27	114	A18-P3	19	0.2	A36-6	38	60
A10C-20	27	124	A18-PA	19	1.5	A36-7	38	61
A10C-22	27	126	A1S-20	28	128	A36-8	38	62
A10C-24	27	129	A1S-22	28	130	A36-9	38	63
A10C-26	27	129	A1S-24	28	131	A41-1/4	38	55
A10C-28	27	129	A1S-26	28	132	A41-1/8	38	50
A10C-30	27	142	A1S-28	28	133	A41-3/16	38	53
A10C-32	27	142	A1S-30	28	140	A41-3/8	38	55
A10C-36	27	151	A1S-32	28	144	A41-5/16	38	56
A10C-40	27	179	A1S-36	28	144	A43L-16	34	222
A10C-45	27	184	A1S-40	28	152	A43L-20	34	230
A10C-50	27	189	A20-14	17	35	A46NP-26	37	311
A10H-36	5, 27	151	A20-16	17	35	A46NP-28	37	311
A10H-40	5, 27	179	A20-18	17	36	A46NP-30	37	311
A10H-50	5, 27	189	A20-20	17	35	A46NPB	37	265
A10N-160	26	33	A20-22	17	36	A4S-10	29	127
A10N-222	26	32	A20-24	17	38	A4S-13	29	131
A10N-360	26	31	A20-26	17	39	A4S-16	29	131
A10N-450	26	31	A20-28	17	40	A4S-20	29	134
A10S-16	26	111	A20-32	17	40	A4S-22	29	138
A10S-18	26	111	A21-3	19	35	A4S-25	29	150
A10S-20	26	121	A21-4	19	36	A50-3	33	158
A10S-22	26	123	A21-5	19	37	A50-4	33	161
A10S-24	26	125	A21-6.5	19	38	A50-5	33	164
A10S-26	26	127	A255	19, 31	92	A50-6	33	166
A10S-28	26	127	A255-NT	19	1.5	A50-7	33	167
A10S-30	26	140	A255-SG	19	3	A50-8	33	169
A10S-32	26	140	A255-TA	19	48	A5BS-10	30	138
A10S-36	26	149	A255P	19	25	A5BS-12	30	151
A10S-40	26	176	A2S-20	29	130	A5BS-15	30	160
A10S-45	26	185	A2S-22	29	134	A5BS-18	30	168
A10S-50	26	191	A2S-24	29	136	A5BS-20	30	171
A110S-M10	32	118	A2S-26	29	138	A5BS-24	30	188
A110S-M15	32	120	A2S-28	29	141	A5BS-8	30	137
A110S-M20	5, 32	127	A2S-30	29	145	A5S-10	30	135
A110S-M25	5, 32	138	A2S-32	29	148	A5S-12	30	138
			A2S-36	29	151	A5S-15	30	151
			A2S-40	29	155	A5S-18	30	154
			A30-1/8MH	38	80	A5S-20	30	165
			A30-5/16H	38	80	A5S-24	30	181
			A30-5/16M	38	80	A5S-30	30	404

● Weight are rounded off the fractions to one decimal places or integral numbers.

INDEX 索引

Attachments



INDEX
INDICE

INDEX
索引

SUISEI®

Description	Page	Weight (gram)	Description	Page	Weight (gram)	Description	Page	Weight (gram)		
A5S-40	30	441	AMS-22L	47	96	C				
A5S-5	30	110	AMS-3	45, 47	31		C02	13	4 10 pcs	
A5S-8	30	133	AMS-3-12	47	26		C06	20	2 10 pcs	
A78S-1.	33	161	AMS-3-23	47	36		C07	20	2 10 pcs	
A78S-1/2	33	155	AMS-6	47	25		C1	13, 20	3 10 pcs	
A78S-1/4	33	152	AMS-8	47	37		C2	13	4 10 pcs	
A78S-3/4	33	154	AMS-B715	47	220		C3	13	4 10 pcs	
A78S-3/8	33	154	AMS-F	47	60		C4	13	4 10 pcs	
A78S-5/16	33	152	AMS-J11	47	139		C5	13	5 10 pcs	
A78S-5/8	33	156	AMS-J50	47	141		C6	13	5 10 pcs	
A7SD-10	35	131	AMS-M190	47	30	C7	13	6 10 pcs		
A7SD-13	35	133	AMS-S261	47	126	C8	13	7 10 pcs		
A7SD-15	35	136	AMS-T15	47	132	CFR-S	21	5 2 pcs		
A7SD-20	35	140	AMS-W	47	39	CL100	11	32		
A7SD-25	35	142	AMS-WE	47	40	CL130	11	35		
A7SD-5	35	129	AMS-WF	47	45	CL25	11	26		
A7SD-6	35	128	AMTB-160	48	32	CL40	11	27		
A7SD-8	35	130	AMTB-170	48	33	CL50	11	28		
A7SU-10	35	122	AMTB-176	48	34	CL60	11	28		
A7SU-13	35	125	AMTB-180	48	34	CL65	11	29		
A7SU-15	35	131	AMTB-190	48	34	CL70	11	30		
A7SU-20	35	136	AMTB-200	48	34	CL80	11	31		
A7SU-25	35	147	AMTB-210	48	35	CPS07	15, 20	2 10 pcs		
A7SU-5	35	118	AMTB-220	48	35	CPS10	13	3 10 pcs		
A7SU-6	35	120	AMTB-230	48	36	CPS13	13	3 10 pcs		
A7SU-8	35	120	AMTB-240	48	37	CPS16	13	4 10 pcs		
A9S-25	28	135	AMTB-250	48	37	CPS19	13	5 10 pcs		
A9S-28	28	157	AMTB-260	48	39	CR100K	12	30		
A9S-32	28	160	AMTB-270	48	39	CR130	11	34		
A9S-38	28	164	AMTB-280	48	39	CR130K	12	35		
AG50S	31	138	AMTB-300	48	39	CR50K	12	25		
AM2P-1	45	80	AMTB-360	48	45	CR65K	12	27		
AM2P-10	45	24	AMTP-1A	48	75	D				
AM2P-11	45	1.9	AMTP-1B	48	61		DB10L	46	1.2	
AM2P-12	45	300	AP11E	41	152		DT-6	50	0.9	
AM2P-13E	45	200	AP18E	41	9		G			
AM2P-15	45	19	AP50E-1112	43	51			G1	40	23
AM2P-17	45	10	AP50E-1243E	43	558			G20Z	40, 41	34
AM2P-2	45	93	AP50E-17	43	97			G3	40	57
AM2P-3	45	80	AP50E-20	43	59			G30	40	25
AM2P-4	45	36	AP50E-23	43	351			G4	40	40
AM2P-5	45	144	AP50E-43E	43	192			G7E	40	64
AM2P-6	45	1.9	AP50E-5E	43	114	H				
AM2P-7	45	512	AP50E-7	43	7			H5017-1/4	35	32
AM2P-8	45	488	AP50E-8	43	18			H5017-3/16	35	29
AM2P-9	45	4	AP50E-AW	43	1,670		H5018-3/16	34	39	
AM2Z	45	3,730	AP50E-N	42	1,700		H5019-1/4	35	30	
AM7-A	44	3,420	AP50E-S	42	2,050		H5019-3/16	35	30	
AM7-B	44	3,500	AP50E-W	43	3,720		H5019R-1/4	35	29	
AM7P-A	44	337					H5019R-3/16	35	32	
AM7P-B	44	349					H5020-1/4	35	33	
AMF-25	46	40	B							
AMF-44	46	49		B20	13, 15, 20	4 100 pcs				
AMF-SH48	46	38		B25	13	4 100 pcs				
AMF-SS48	46	5		B30U	20	4 100 pcs				
AMP-3	45	42		BM61015W	50	5.5				
AMR-1	45	221		BM61025	50	7				
AMR-2E	45	59								
AMR-3	45	223								
AMS-1	45, 47	29								
AMS-1-38	47	49								
AMS-22E	45, 47	62								

● Weight are rounded off the fractions to one decimal places or integral numbers.

INDEX 索引

Attachments



INDEX
INDICE

INDEX
索引

SUISEI®

Description	Page	Weight (gram)	Description	Page	Weight (gram)	Description	Page	Weight (gram)			
H5020-3/16	35	32	P301C-3/16	17	14	RF-FJ191-AS	50	190			
H6010-1/16	34	27	P301N	14	11	RF-GA467-AS	50	238			
H6010-1/4	34	33	P31	14	13	RF-GA467S	50	227			
H6010-1/8	34	27	P311	14	14	RF-GB737C	50	236			
H6010-3/16	34	30	P311N	14	11	RF-GB845-AS	50	254			
K			P31C-1/4	17	14	RF-GB845S	50	249			
			P31C-1/8	17	13	RF-GBE	50	116			
			P31C-3/16	17	14	RF-GBE-AS	50	131			
			P37	17	17	RF-GJ115-AS	50	318			
	K78CL-01SA100	49	548	P375	21	16	RF-GJ115C	50	308		
	K78CL-01SAD24	49	548	P375B	21	16	RF-GJ312C	50	300		
	K78CL-AIRA	49	470	P375BL	21	16	RF-GJ541C	50	256		
	K78CL-D24	49	992	P37M	17	17	RF-GJ549C	50	254		
	K78CL-F1506	49		P37W	17	17	RF-GJ555C	50	212		
	K78CL-GL061	49	13	P3811	10	20	RF-H25	46	78		
	K78CL-GL065M	49	12	P3819	10	23	RF-H44	46	89		
	K78CL-KLSD	49	247	P3825	10	26	RF-LBE	50	460		
	K78CL-KLSS	49	205	P39	19	19	RF-LBE-AS	50	484		
	K78CL-SVD24	49	48	P3C	14	12	RF-SB	50	294		
	K90KL-AMP	49	2.0 2 pcs	P3CS	14	12	RF-SB-AS	50	304		
	K90KL-CE2	49	2.1 4 pcs	P5	10	17	RF-SH48-AS	46	171		
	K90KL-SW	49	408	P50	10	22	RF-SH48A	46	98		
	K90KL-SZ	49	464	P50H	10	20	RF1	50	82		
KA7801	48	240	P50M	10	22	RFB-EP20-AS	48	307			
KTL24	45	2.5	P69D-1/4	16	19	RFB-T-AS	48	694			
KTL40	43	10	P69D-1/8	16	23	RL-600	48	412			
M			P69D-3/16	16	21	RL-600LW	48	54			
			P69L-1/4	16	24	RL6	48	45			
			P69L-1/8	16	22	RL6-AS	48	90			
			P69L-3/16	16	24	RL7	48	45			
	M30515RL	10	1.7	P69L-3/8	16	26	RS280	49	140		
	M3054R	19	2.5	P69R-1/2	16	31	S				
	N			P69R-1/4	16	24		S0050N	22	13	
				P69R-3/16	16	23		S1060	15	13	
				P69R-3/8	16	25		S1560	15	14	
		NM6106S19	49	14	P723	9		47	S2060N	22	14
		P			P723-CS	9		4 10 pcs	S2525	14	13
					P723-GL	9		10	S2525NN	22	13
				P723-GR	9	10		S3030 (SP363)	14	14	
				P723-SS	9	13 10 pcs		S3030N (S363NF)	22	13	
P01			9	9 10 pcs	P723NF	4, 22		47	S351NF	22	14
P01W			9	9 10 pcs	P75	35		29	S4040	15	14
P10			9	17	P882	21		17	S4040V	15	14
P11			9	18	P9	35	32	S5000N	22	13	
P112B-1/4	23		22	P983	15	15	S5050	15	15		
P112B-1/8	23		20	R			S5050N	22	14		
P112B-3/16	23		20		R-SH5110	46	37	S5050V	15	15	
P112B-3/8	23		25		R-SH5125	46	61	S5125-2	46	137	
P112B-5/16	23	23	R-SH5148		46	96	S6010	15	14		
P112J-1/4	23	23	R-SH6025		46	86	S6015	15	15		
P115	9	17	R-SH6048		46	140	S6020N	22	13		
P12	9	17	R3030		46	36	S6060V	15	16		
P13	9	18	R3450		46	77	S6565	15	16		
P14	9	21	R4344		46	96	S69LH-30	16	18		
P15	9	20	R5125		46	55	S69LH-50	16	17		
P16	9	21	R5125-C10		46	37	S69LH-65	16	18		
P18	9	23	R5144		46	94	S69RH-30	16	18		
P3	14	12	R6025	46	81	S69RH-50	16	17			
P301	14	14	RF-FB925-AS	50	203	S69RH-65	16	18			
P301C-1/4	17	14									
P301C-1/8	17	13									

● Weight are rounded off the fractions to one decimal places or integral numbers.



とうき こうぎょう
株式会社 卓輝工業

TOHKI Industrial Co., Ltd.

〒599-8275 大阪府堺市東八田 1 1 0-1
TEL (072) 270 - 9115 FAX (072) 270 - 9600
E-mail : info@tohki-ind.co.jp

110-1, Higashi-Hatta, Sakai-City, Osaka, 599-8275 Japan
Phone (81-72) 270 - 9115 Fax (81-72) 270 - 9600
E-mail : export@tohki-ind.co.jp